





























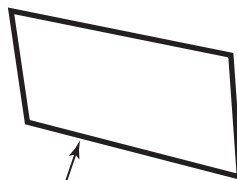
4.2 Connection



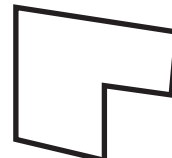
**WARNING**

**Always turn the controller's power OFF before connecting to a strut.**

Anytime prior to power-up, each strut must be connected with the supplied cables to the corresponding 2 plugs located at the rear panel of the HXP100P-ELEC controller. The SUB-D25 cable must be connected to the plug labeled "MOTOR", the SUB-D ) cable to the plug labeled "ENCODER".



6 SUB-D25F CONNECTORS FOR MOTOR CABLES



6 SUB-D26HDF CONNECTORS FOR ENCODER CABLES

**WARNING**

**Each Hexapod strut label corresponds to the axis number of its controller. This label is also indicated on connectors of the strut.**



' (1+7

& B D) F Y B Q P I E R V J Q X Q I E N F W F B S C M E U F S N J O B U F E  
 4 6 # % . D P O C F P S U B B S O T E 6 # % ) % D P O O F G B S S T  
 F O D P E F I S T F D B S W I S T D U M Z W F D E O F F O W S F E M M F S  
 - F O H U I G S P N B D U V B U P S T 3 F N P W F N X I F  
 P V U Q V U

5 I F S F S U F X B B C Q I F T U S V D B C M F U B M P O C U F D I F  
 D P S S F T Q P O E P O O H Q M M H 8 - & \$ P %  
 ) 9 1 1 ) " & - & \$ % D P O U S P M M F S

4.3 Cables

Each Hexapod is equipped with cables terminated with SUB-D25M connectors and can be directly connected to its controller.

CAUTION

Numbering of axes is important for strut connections. A mismatch will cause fatal errors during initialization.

WARNING

These cables are shielded correctly. For a correct operation, make sure to lock connectors (ground continuity provided by the cable).



WARNING

Keep the motor cables at a safe distance from other electrical cables in your environment to avoid potential cross talk.

NOTE

On each connector, a sticker indicates the home preset and backlash on the SUB-D25M connector, and the resolution on the SUB-D15M connector.



These parameters have to be set into the controller for each strut. This is done at our factory when the Hexapod is ordered with its own HXP100P-ELEC or HXP100P-ELEC controller.

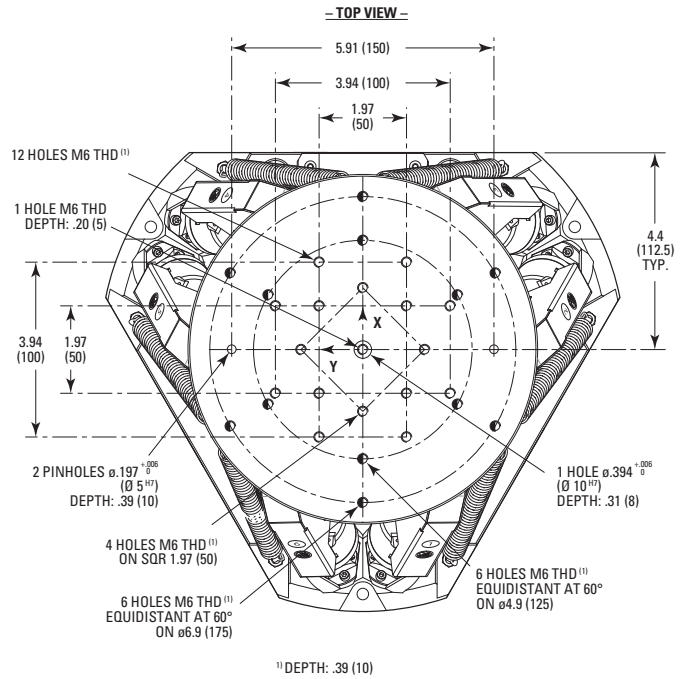
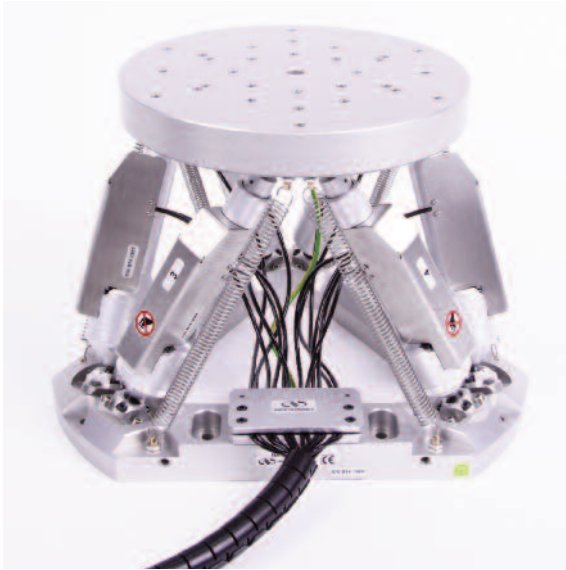


WARNING

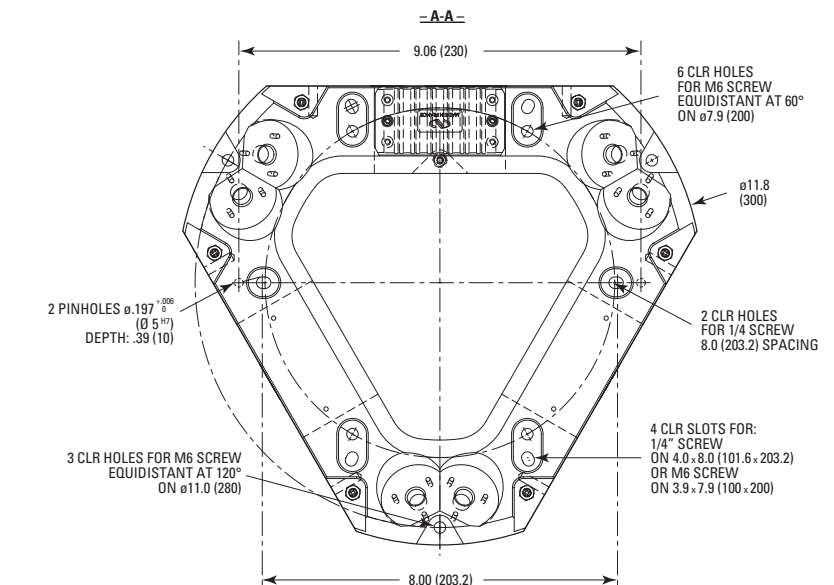
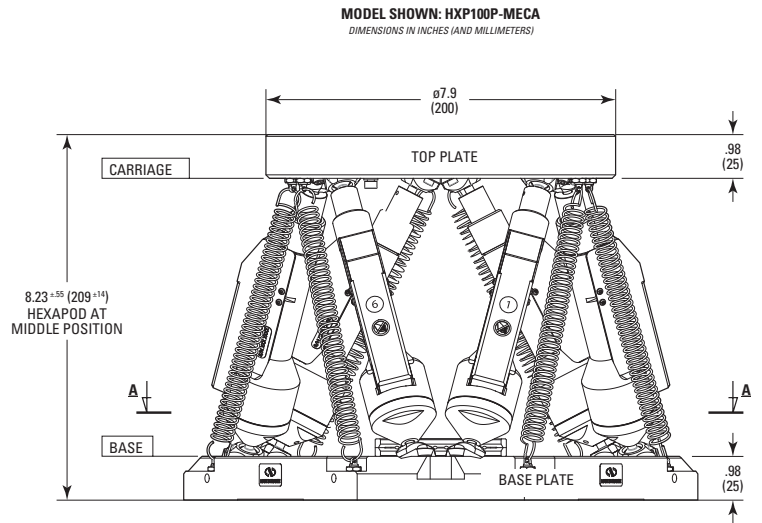
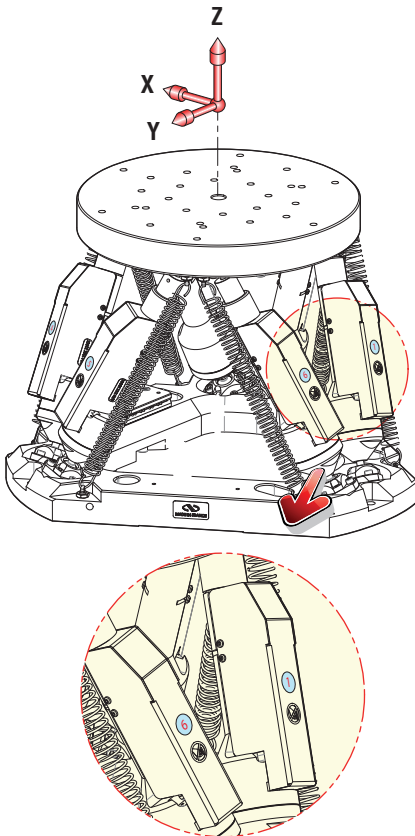


These Hexapods must be grounded via a threaded hole to avoid electrical disturbances generated by ground loops.

5.0 Dimensions



**NOTE**  
The +X-axis points in the direction of the cable output between struts #3 and #4.



**NOTE**  
Top and base plates of the HXP100P-MECA and HXP100PHA-MECA Hexapod are made of anodized aluminum.



## 6.0 Maintenance

---

### RECOMMENDATION

**Please contact Technical Sales Support team for recommendations on application specific maintenance.**

---

#### 6.1 Maintenance

The Hexapod requires no particular maintenance. Nevertheless, this is a precision mechanical device that must be kept and operated with caution.

---

### PRECAUTIONS

**The Hexapod must be used or stocked in a clean environment, without dust, humidity, solvents or other substances.**

---

### RECOMMENDATION

**It is recommended to return the Hexapod to Newport for re-lubrication after 2000 hours of use.**

**If the HXP100P-MECA is mounted on a workstation and cannot be easily removed, please contact Newport's After Sales Service for further instructions.**

---

#### 6.2 Repair

---

### CAUTION



**Never attempt to disassemble a component of the Hexapod that has not been covered in this manual.**

**To disassemble a non specified component can cause a malfunction of the stage.**

---

If you observe a malfunction in your Hexapod, please contact us immediately to arrange for a repair.

---



### CAUTION

**Any attempt to disassemble or repair a Hexapod without prior authorization will void your warranty.**

---







Visit Newport Online at:  
[www.newport.com](http://www.newport.com)

**North America & Asia**

Newport Corporation  
1791 Deere Ave.  
Irvine, CA 92606, USA

**Sales**

Tel.: (800) 222-6440  
e-mail: [sales@newport.com](mailto:sales@newport.com)

**Technical Support**

Tel.: (800) 222-6440  
e-mail: [tech@newport.com](mailto:tech@newport.com)

**Service, RMAs & Returns**

Tel.: (800) 222-6440  
e-mail: [service@newport.com](mailto:service@newport.com)

**Europe**

MICRO-CONTROLE Spectra-Physics S.A.S  
9, rue du Bois Sauvage  
91055 Évry CEDEX  
France

**Sales & Technical Support**

Tel.: +33 (0)1.60.91.68.68  
e-mail: [france@newport.com](mailto:france@newport.com)

**Service & Returns**

Tel.: +33 (0)2.38.40.51.55

