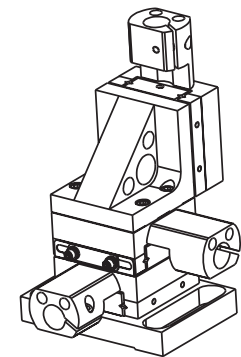
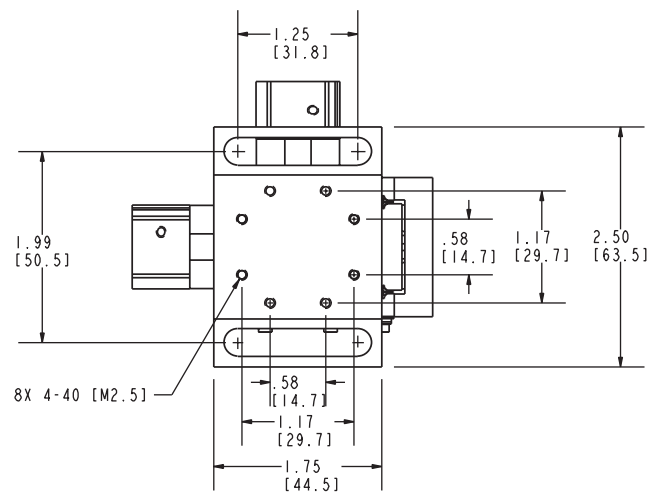
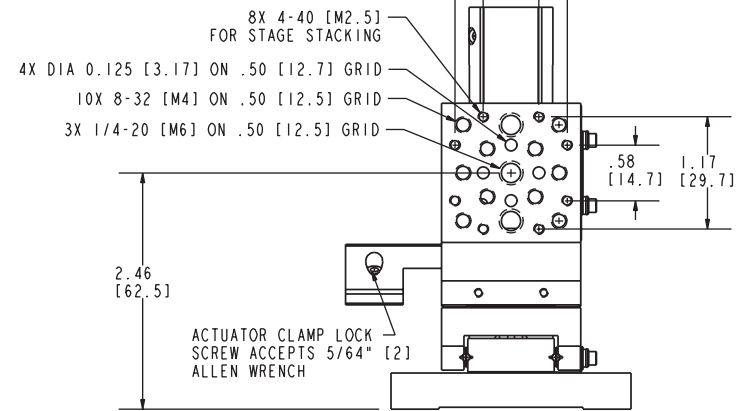
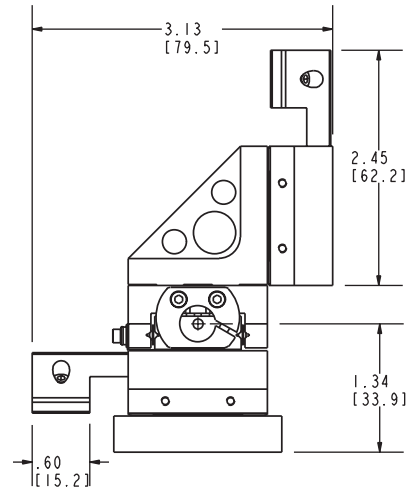
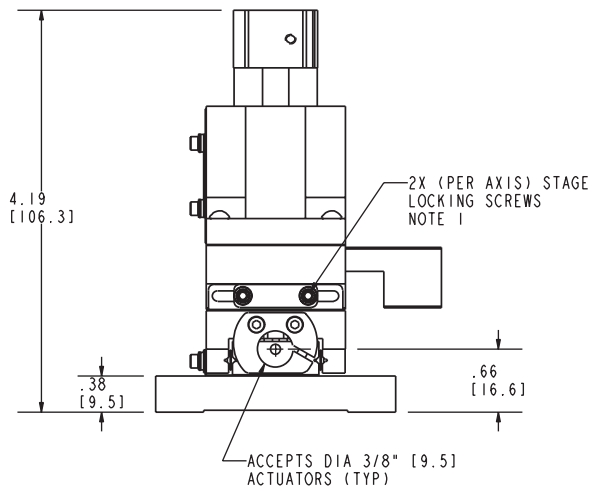
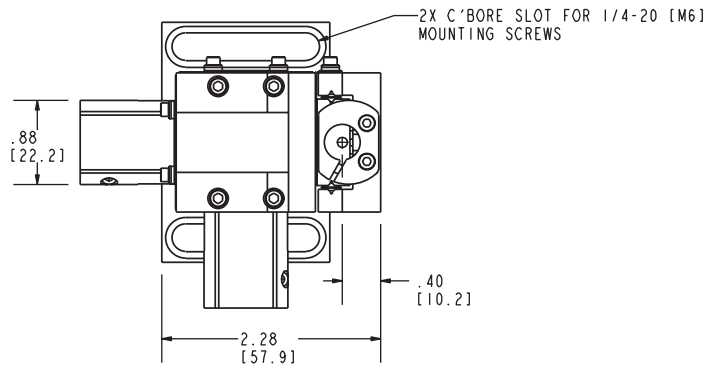


NOTES:
 1) ACCEPTS 5/64 [2] ALLEN WRENCH



Unless otherwise noted, dimensions are in inches with metric dimensions in mm in brackets

 New Focus™