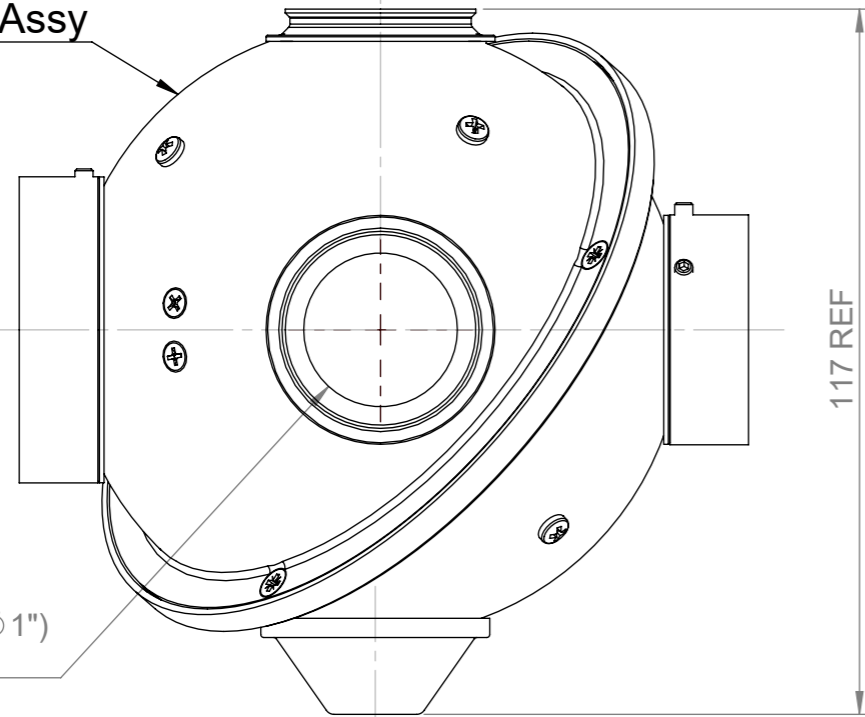


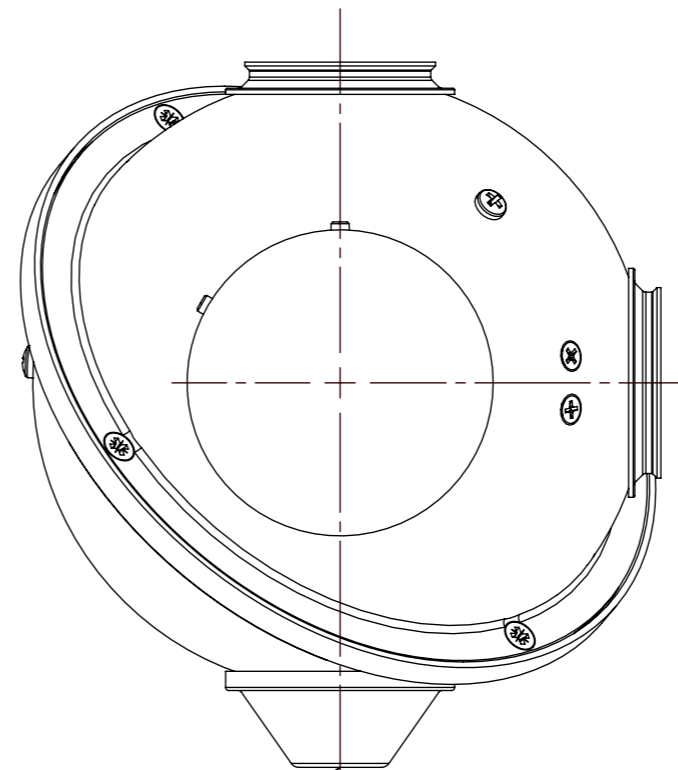
IS3.3-Sub Assy



(3x)  $\phi 25.4$  ( $\phi 1$ )  
Ports

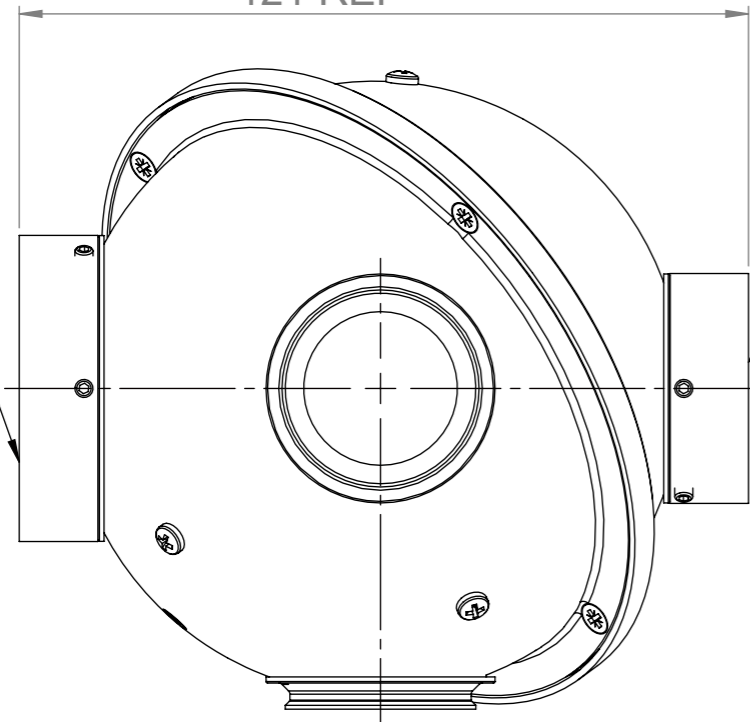
Front View

1/4-20 BSW  $\nabla 6$  Min  
Thread For Rod



Side View

121 REF



IS- $\phi 1.5$ " Port  
Port Plug

IS- $\phi 1$ " Port  
 $\phi 1$ " Port Cover

Top View