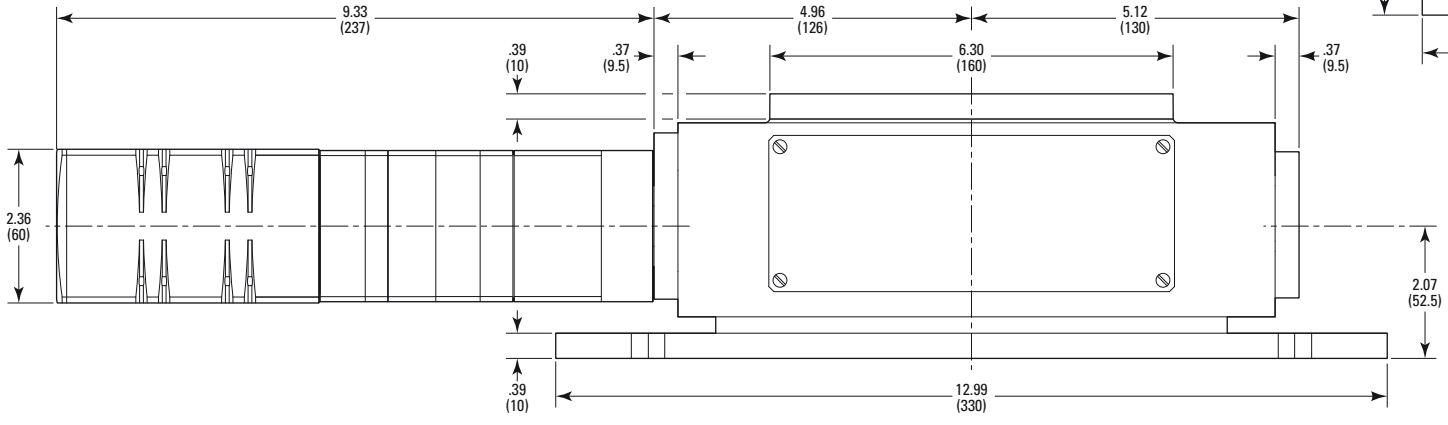
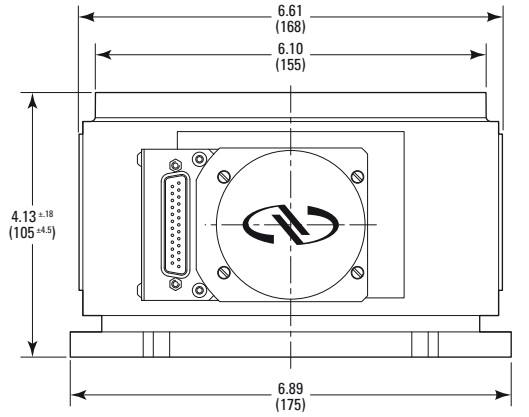


A

- VIEW A -



**MODEL SHOWN: M-UZM160CC.05**  
 DIMENSIONS IN INCHES (AND MILLIMETERS)  
 0 1.0 2.0 3.0 IN.  
 0 20 40 60 80 (MM)  
 SCALE 1:3

