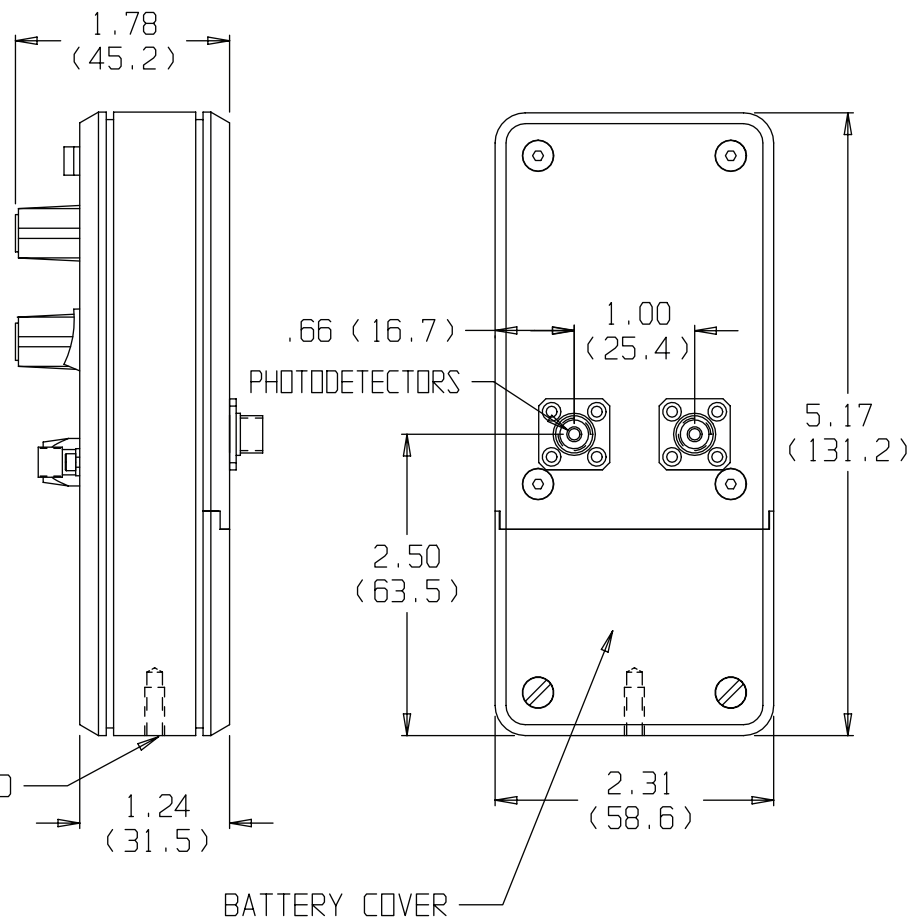


| MODEL   | DESCRIPTION          |
|---------|----------------------|
| 2107-FS | SILICON, VISIBLE-NIR |
| 2107-FC | SILICON, VISIBLE-NIR |
| 2117-FS | InGaAs, IR           |
| 2117-FC | InGaAs, IR           |



## 21X7(M) 10 MHz ADJUSTABLE GAIN BALANCED PHOTORECEIVER