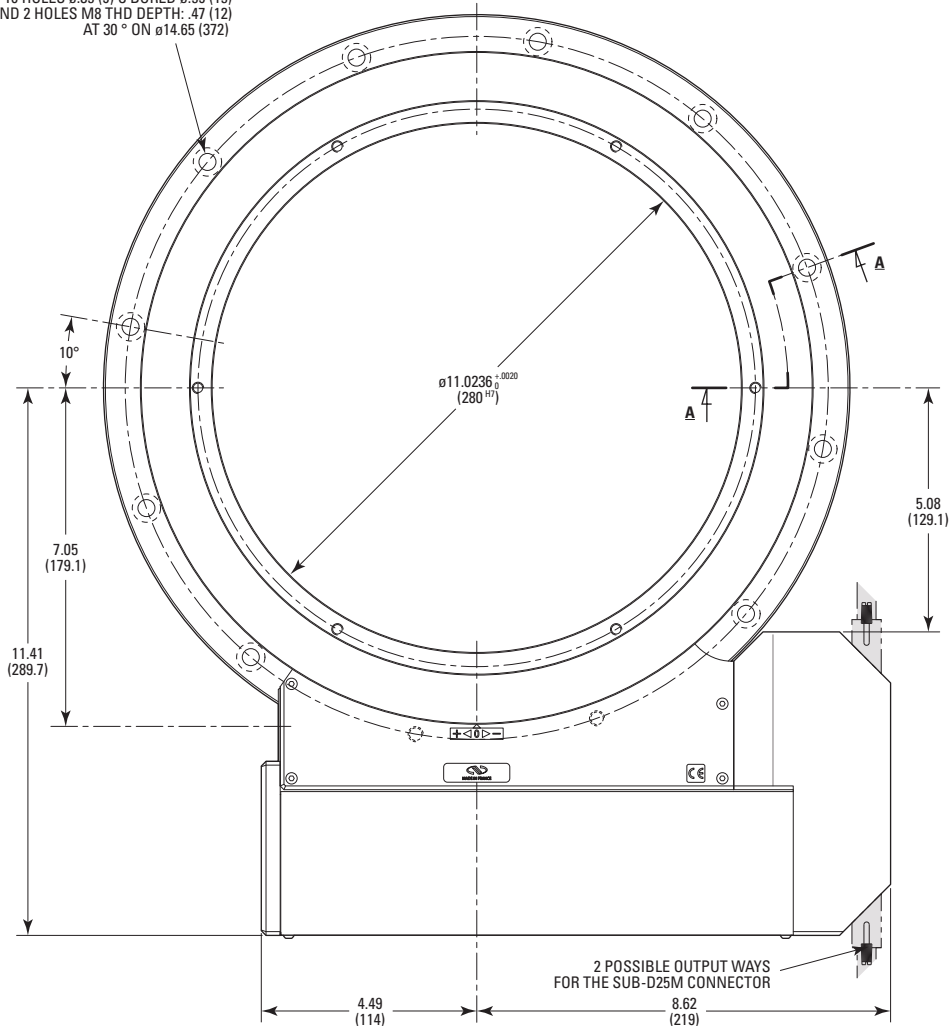
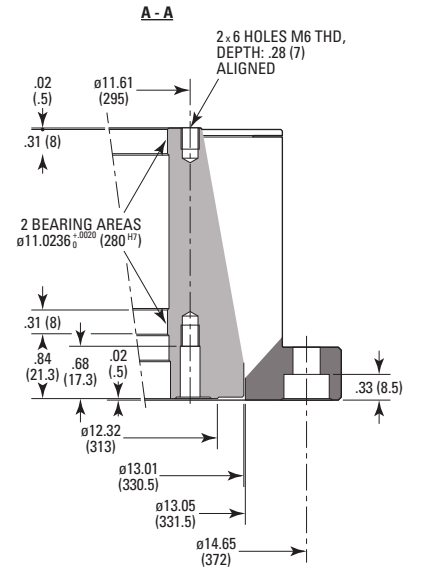
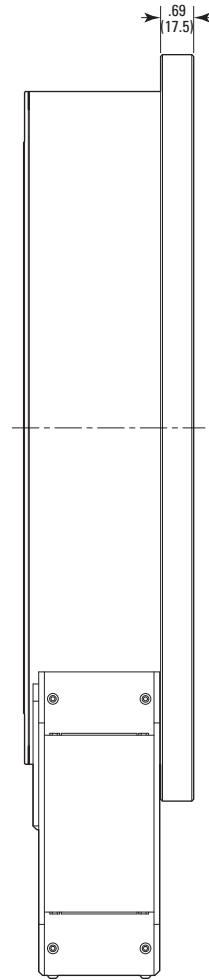
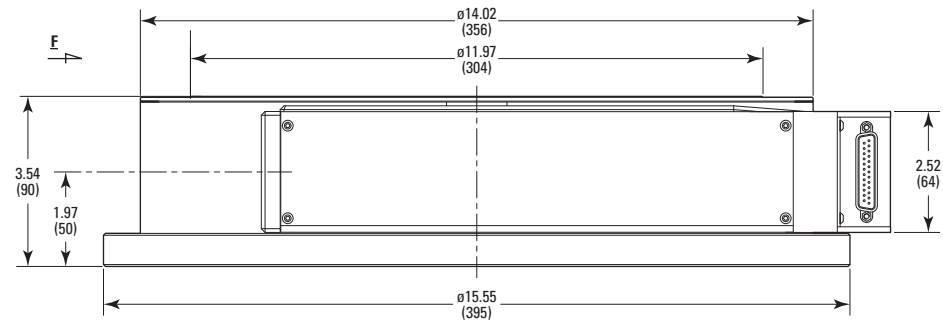


10 HOLES  $\phi .35$  (9) C'BORED  $\phi .59$  (15)  
AND 2 HOLES M8 THD DEPTH: .47 (12)  
AT  $30^\circ$  ON  $\phi 14.65$  (372)

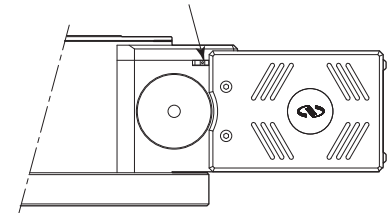


2 POSSIBLE OUTPUT WAYS  
FOR THE SUB-D25M CONNECTOR



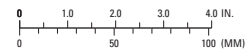
-VIEW F-

DISABLING OF  
LIMIT SWITCHES



MODEL SHOWN: RV350BPP-F, RV350BPE-F, RV350CC-F AND RV350CCHL-F

DIMENSIONS IN INCHES (AND MILLIMETERS)



SCALE 1:4

 Newport