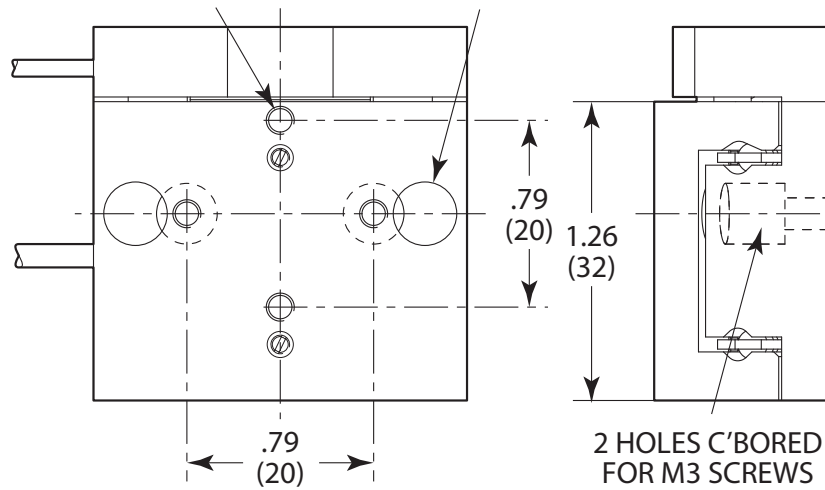


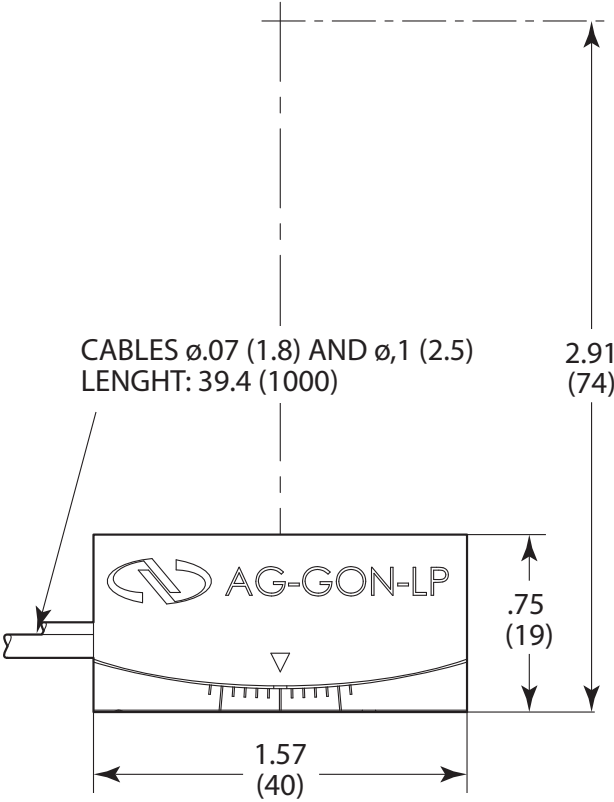
4 HOLES M3 THD
DEPTH: .12 (3)

2 HOLES ϕ .27 (6.8) FOR
ACCESS TO C'BORED HOLES



2 HOLES C'BORED
FOR M3 SCREWS

CABLES ϕ .07 (1.8) AND ϕ .1 (2.5)
LENGHT: 39.4 (1000)



2.91
(74)

AG-GON-LP

