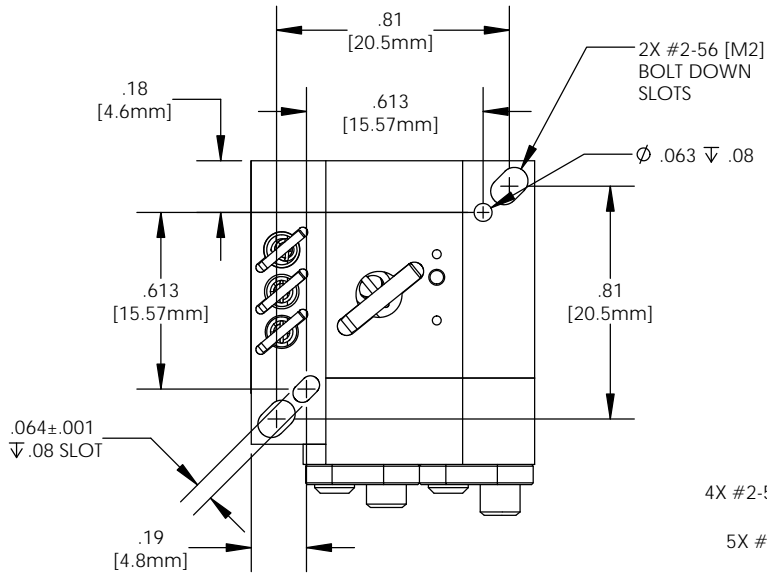
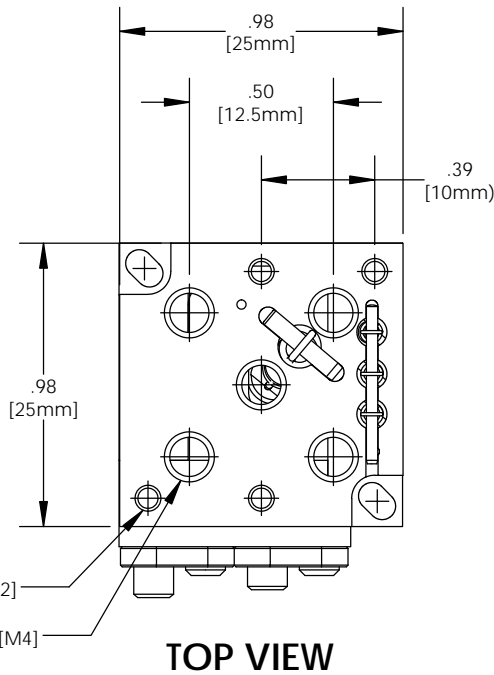


**MODEL #9061-PY [9061-PY-M]
PITCH/YAW STAGE**

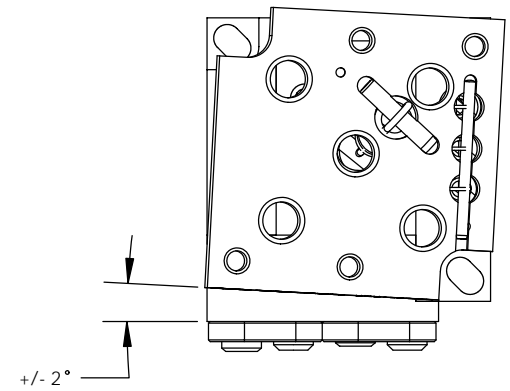
COMPATIBLE WITH 9061 SERIES GOTHIC-ARCH STAGES.
25 X 25mm PLATFORM, #2-56 [M2], #8-32 [M4] THREADS.



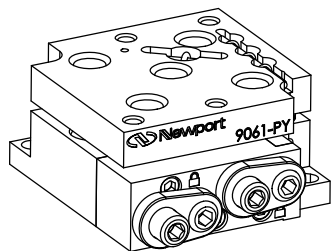
BOTTOM VIEW



TOP VIEW

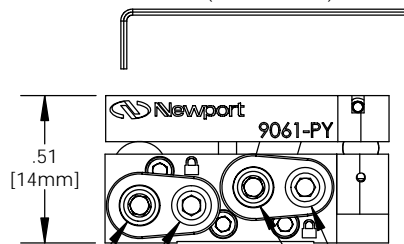


YAW

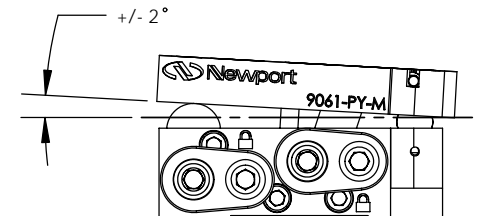


ISO VIEW

REQUIRED:
ONE 1/16 [1.5mm] ALLEN WRENCH
(NOT TO SCALE)



FRONT VIEW



PITCH

THIRD ANGLE
PROJECTION