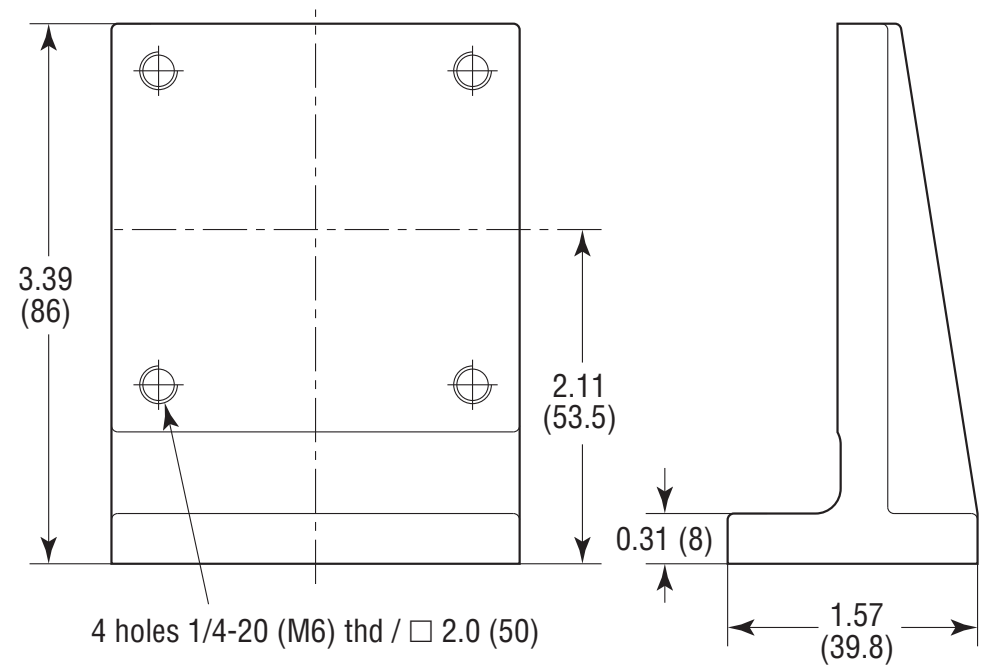


4 holes c'bored for 1/4 -20 (M6) screw / □ 2.0 (50) x 1.0 (25)



4 holes 1/4-20 (M6) thd / □ 2.0 (50)

