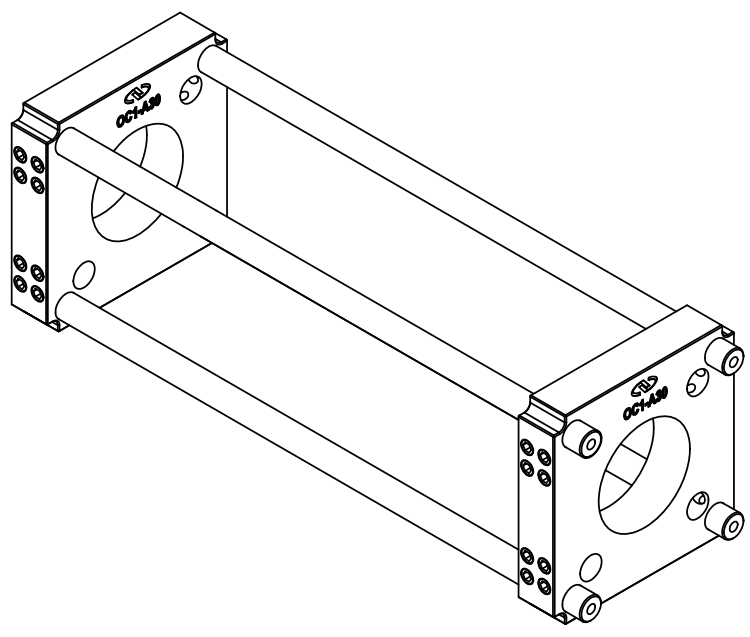
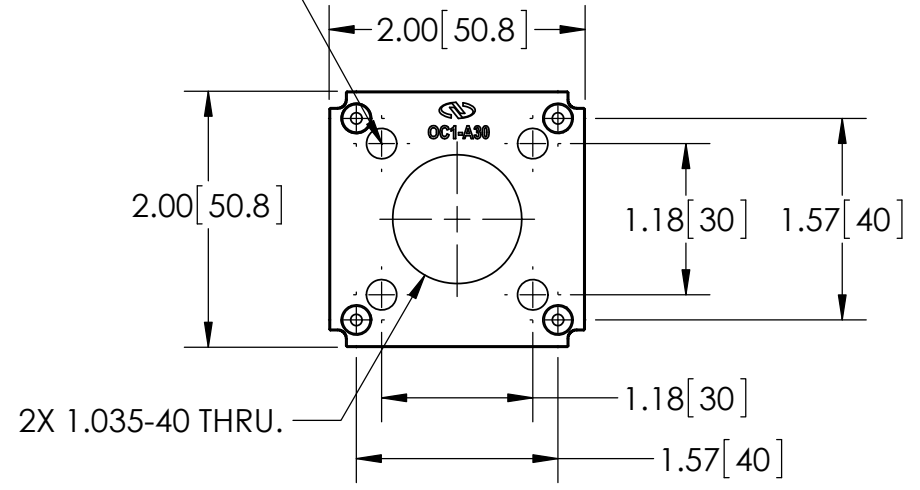


4X  $\phi$  6mm HOLES THRU.  
USED TO ADAPT 30mm  
CAGE SEGMENT



MODEL No.	DESCRIPTION	L in [mm]
OC1-SEG4	4" LONG CAGE SEGMENT	4 [101.6]
OC1-SEG6	6" LONG CAGE SEGMENT	6 [152.4]
OC1-SEG8	8" LONG CAGE SEGMENT	8 [203.2]
OC1-SEG10	10" LONG CAGE SEGMENT	10 [254.0]
OC1-SEG12	12" LONG CAGE SEGMENT	12 [304.8]