



CONEX-AG-LS25-27P

CONEX-AGP CONTROLLER WITH AG-LS25-27P LINEAR STAGE

CONNECT EASILY - CONTROL SIMPLY



For Motion, Think Newport™

The CONEX-AG-LS25-27P is a piezo motor linear stage integrated with a closed-loop piezo motor controller/driver. For out-of-the box control, the CONEX-AGP controller is preconfigured and delivered with an Agilis AG-LS25-27P linear stage with a built-in direct read linear encoder.

The CONEX-AGP is a very compact and inexpensive single axis motion controller with the same driver as the proven Agilis AG-UC2 2-axis, driver. The controller comes with the familiar CONEX GUI, simple and intuitive to use and conveniently accessible via USB, which also supplies power to the controller.

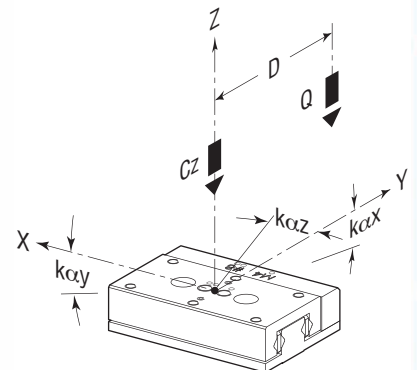
The CONEX-AGP closed-loop algorithm is a simplified version of the typical DC servo loop algorithm, and combined with the linear encoder, provides a system bi-directional repeatability of 0.3 μm . There is an available deadband feature that allows the user to modify the closed-loop parameters to program the acceptable deviation from a position, and hold that position steady.

The linear stage of the CONEX-AG-LS25-27P is based on the Agilis AG-LS25-27 linear stage, but features an innovative miniature direct read linear encoder. The footprint is maintained while delivering sub-micron bi-directional repeatability expected from direct read encoder technology. Like the controller, the linear stage is very compact, but is capable of 27 mm travel, and 0.2 μm MIM.

- Highly repeatable angular motion
- High sensitivity (MIM)
- Compact size
- Affordable and quick delivery
- Integrated and easy to setup

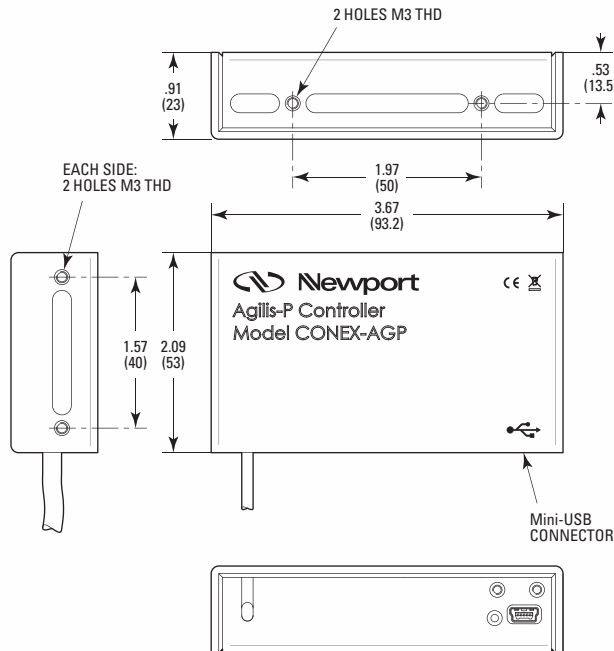
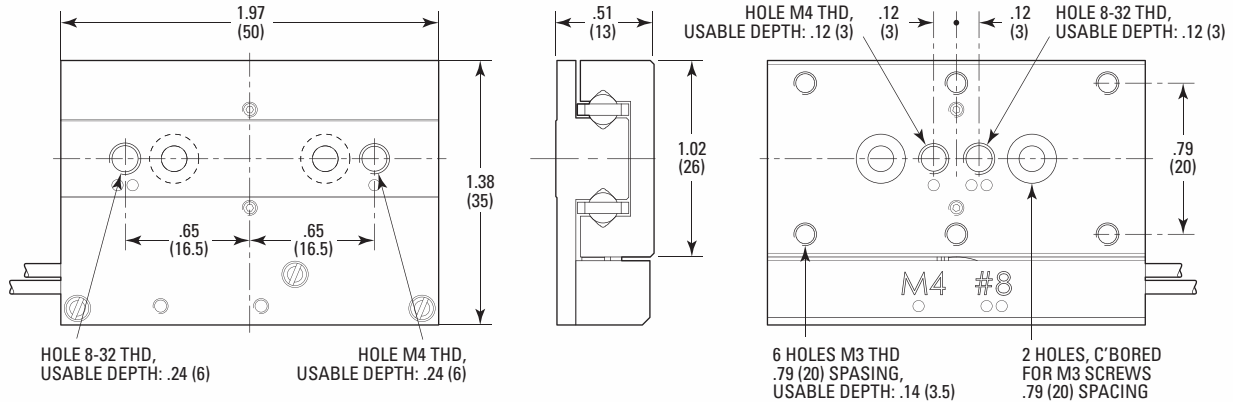
Specifications

Travel	27 mm
Minimum Incremental Motion, MIM	0.2 μm
Uni-directional repeatability, typical	0.15 μm
Bi-directional repeatability, typical	0.2 μm
On-axis accuracy, typical	15 μm
Origin repeatability	0.2 μm
Maximum speed	0.4 mm/s
Pitch/Yaw, typical	100 μrad
Cz, Normal load capacity	3.5 N
Axial load capacity	1.5 N
$K_{\alpha x}$, Compliance in roll	550 $\mu\text{rad}/\text{Nm}$
$k_{\alpha y}$, Compliance in pitch	350 $\mu\text{rad}/\text{Nm}$
$k_{\alpha z}$, Compliance in yaw	300 $\mu\text{rad}/\text{Nm}$
Q, Off-center load	$Q \leq C_z / (1 + D/9)$
D, Cantilever distance	



CONEX-AG-LS25-27P

Dimensions



Newport Corporation, Global Headquarters
1791 Deere Avenue, Irvine, CA 92606, USA

PHONE: 1-800-222-6440 1-949-863-3144 FAX: 1-949-253-1680 EMAIL: sales@newport.com
Complete listings for all global office locations are available online at www.newport.com/contact

www.newport.com

PHONE

Belgium +32-(0)0800-11 257
China +86-10-6267-0065
France +33-(0)1-60-91-68-68
Japan +81-3-3794-5511
Taiwan +886 -(0)2-2508-4977

EMAIL

belgium@newport.com
china@newport.com
france@newport.com
spectra-physics@splasers.co.jp
sales@newport.com.tw

PHONE

Irvine, CA, USA +1-800-222-6440
Netherlands +31-(0)30 6592111
United Kingdom +44-1235-432-710
Germany / Austria / Switzerland +49-(0)6151-708-0

EMAIL

sales@newport.com
netherlands@newport.com
uk@newport.com
germany@newport.com

Newport Corporation, Irvine, California and Franklin, Massachusetts; Evry and Beaune-La-Rolande, France and Wuxi, China have all been certified compliant with ISO 9001 by the British Standards Institution. Santa Clara, California is DNV certified.