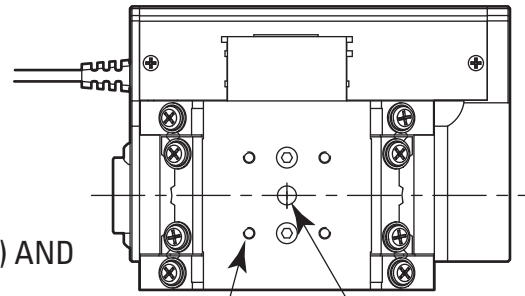
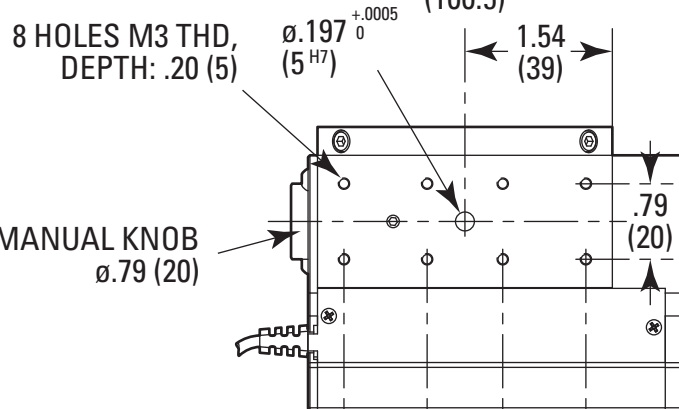
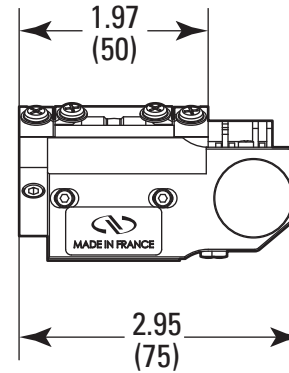
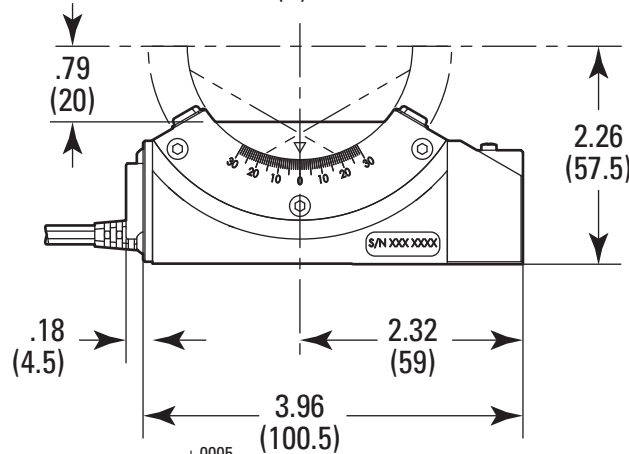


CABLE LENGTH 9.8 FT (3 M) AND
SUB-D25M CONNECTOR



4 HOLES M3 THD ON SQR .79 (20),
DEPTH: .20 (5) $\phi .197^{+.0005}_0$
(5 H7)



MANUAL KNOB
 $\phi .79$ (20)

MODEL SHOWN: BGS50

DIMENSIONS IN INCHES
(AND MILLIMETERS)

