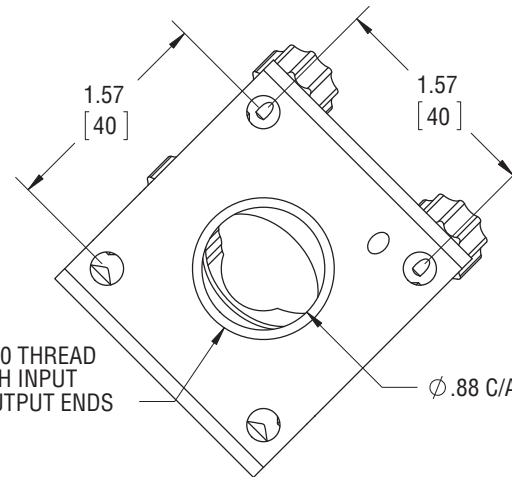


4X 4-40 TAPPED HOLES



SECTION B-B