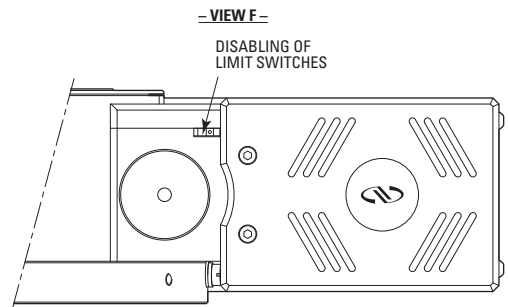
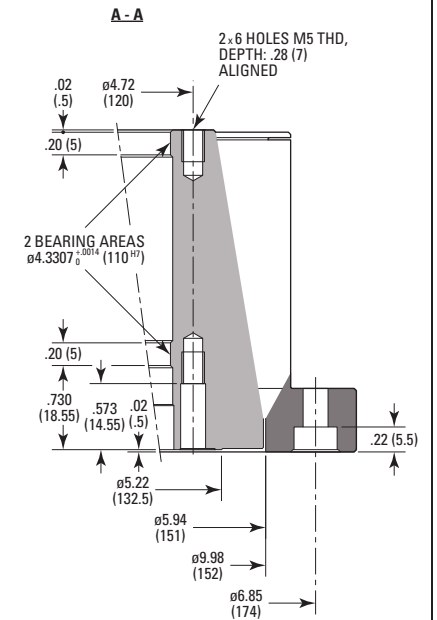
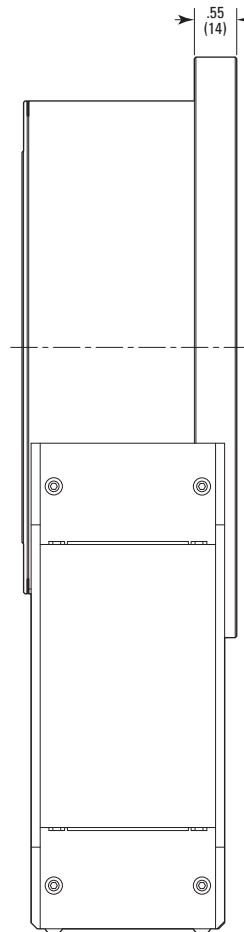
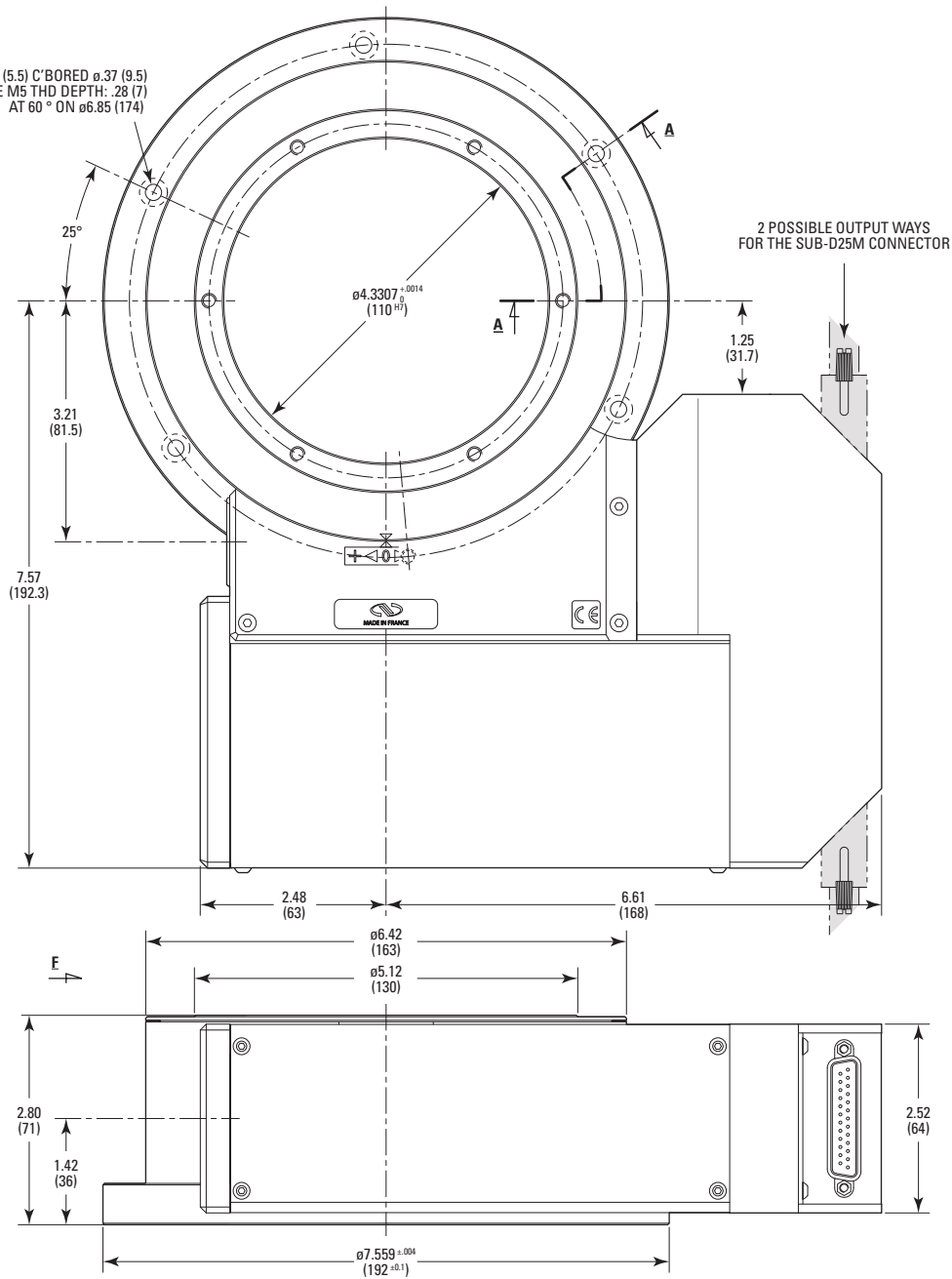
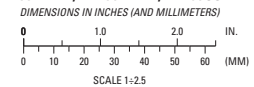


5 HOLES $\phi 22$ (5.5) C'BORED $\phi 37$ (9.5)
AND 1 HOLE M5 THD DEPTH: .28 (7)
AT 60° ON $\phi 6.85$ (174)



MODEL SHOWN: RV160BPP-F, RV160BPE-F, RV160CC-F AND RV160CCHL-F



 **Newport**