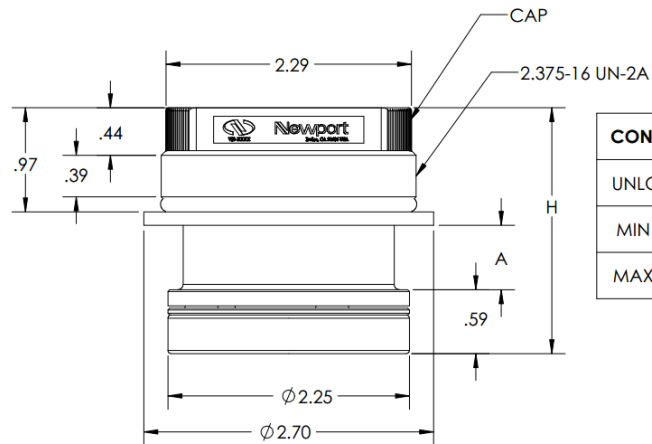


VIB320 Isolator Mechanical Outline



CONDITION	DIM H (IN)	DIM A (IN)
UNLOADED	2.29	.60
MIN LOAD	2.25	.56
MAX LOAD	1.79	.10

