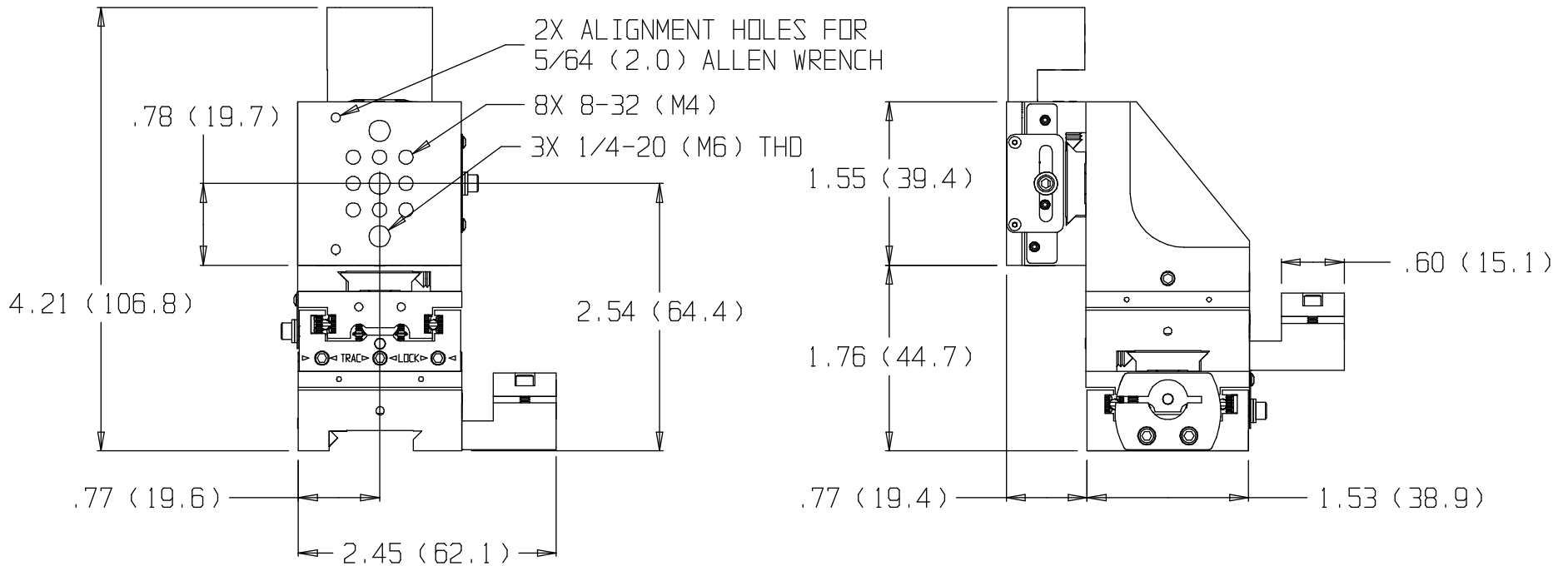


- NOTES:
1. TRACK LOCK SCREW AND MICROMETER CLAMP ACCEPT 5/64" (2.0) ALLEN WRENCH
 2. ENGLISH MOUNTING HOLES ON 1/2" GRID. METRIC MOUNTING HOLES ON 12.5MM GRID
 3. FOR MOUNTING HOLE LOCATION REFER TO DRAWING 9065-X



9065-XYZ-R(M) TRANSLATION STAGE

 New Focus™