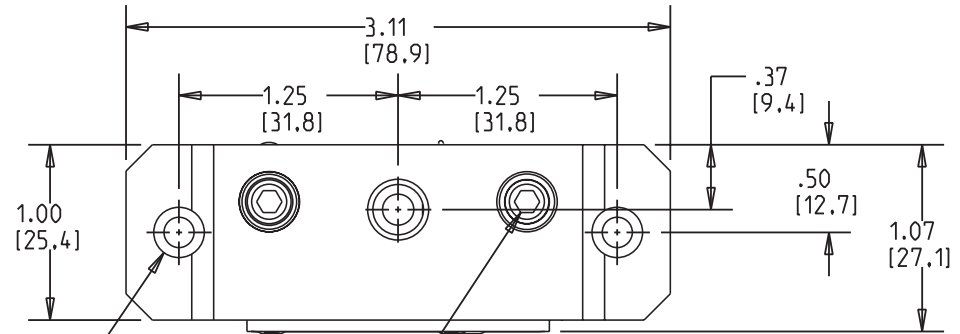


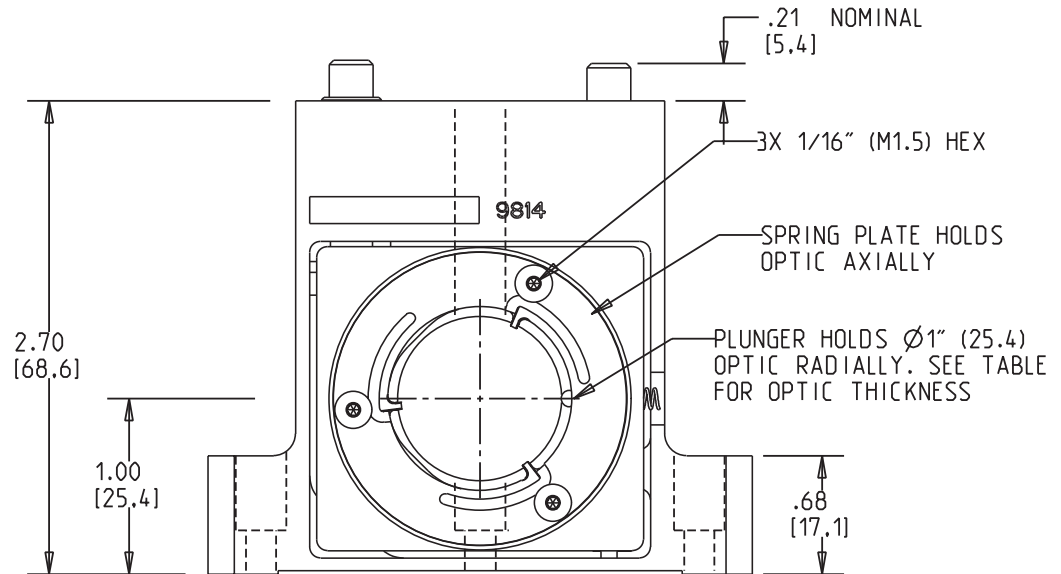
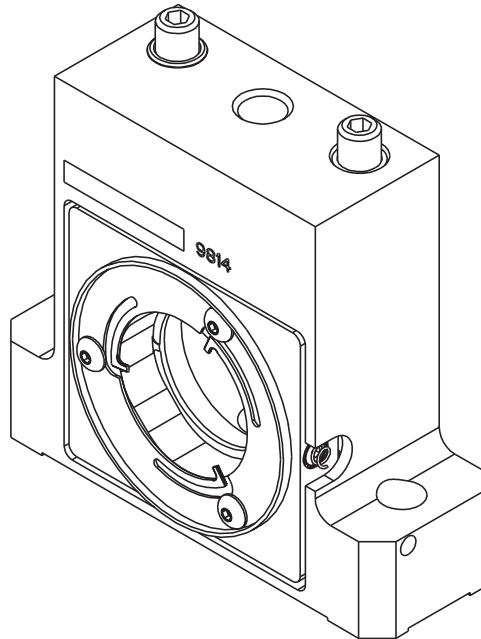
MODEL	OPTIC THICKNESS
9814-8	8mm
9814-6	6mm AND 1/4"
9814-6-K	6mm AND 1/4"
9814-8-Ni-K	8mm
9814-6-Ni-K	6mm AND 1/4"
9814-8-Ni-K-V*	8mm

*-V IS VACUUM COMPATIBLE



3X COUNTERBORE FOR
8-32 (M4) SOCKET HEAD
CAP SCREW

2X 1/8" (M3) HEX



9814 1" TOP MOUNT

Unless otherwise noted, dimensions are in inches with metric dimensions in mm in brackets

 New Focus™