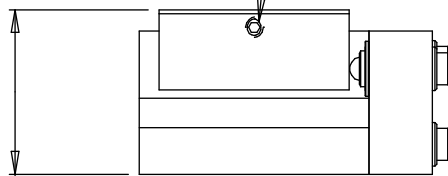


END VIEW
VIEW AXIS
Y
X

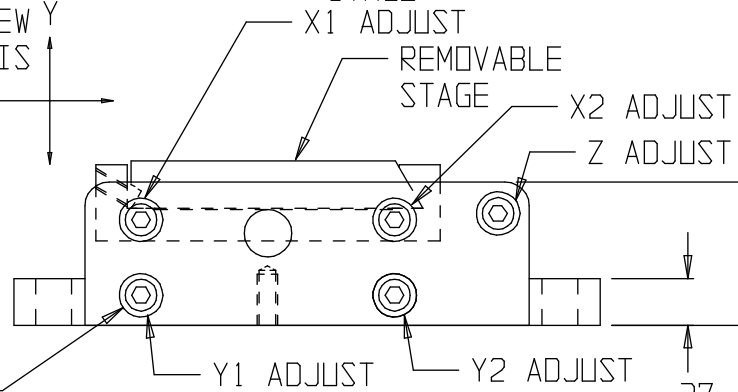
LOCKING SCREW FOR
REMOVABLE STAGE
1/16 (1.5) ALLEN



MIN 1.26 (32.0)
MAX 1.39 (35.3)

5X ADJUSTMENT SCREW
1/8 (3.0) ALLEN

SIDE VIEW
VIEW AXIS
Y
Z



1.13 (28.7)

.37 (9.4)

9081(M) FIVE AXIS ALIGNER

 New Focus™