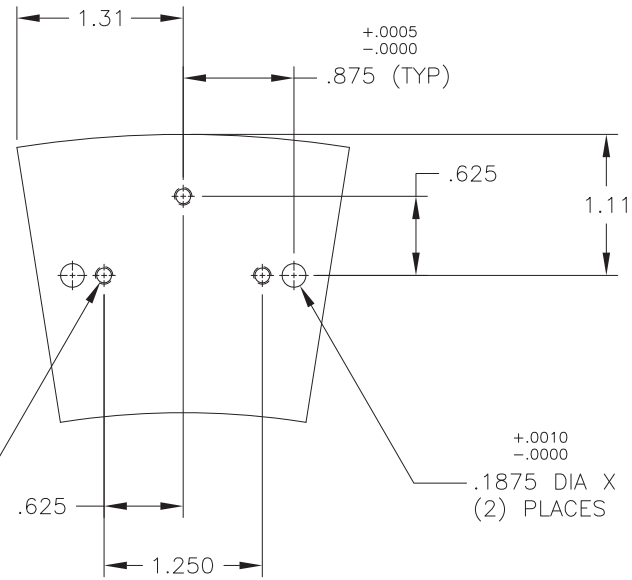
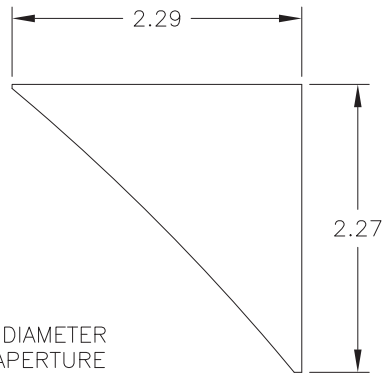


55 MM DIAMETER
CLEAR APERTURE



$\begin{matrix} +.0005 \\ -.0000 \end{matrix}$
.875 (TYP)

$\begin{matrix} +.0010 \\ -.0000 \end{matrix}$
.1875 DIA X .38 DP
(2) PLACES

#6-32 UNC-2B x .38 DP
(3) PLACES

ORIEL
INSTRUMENTS