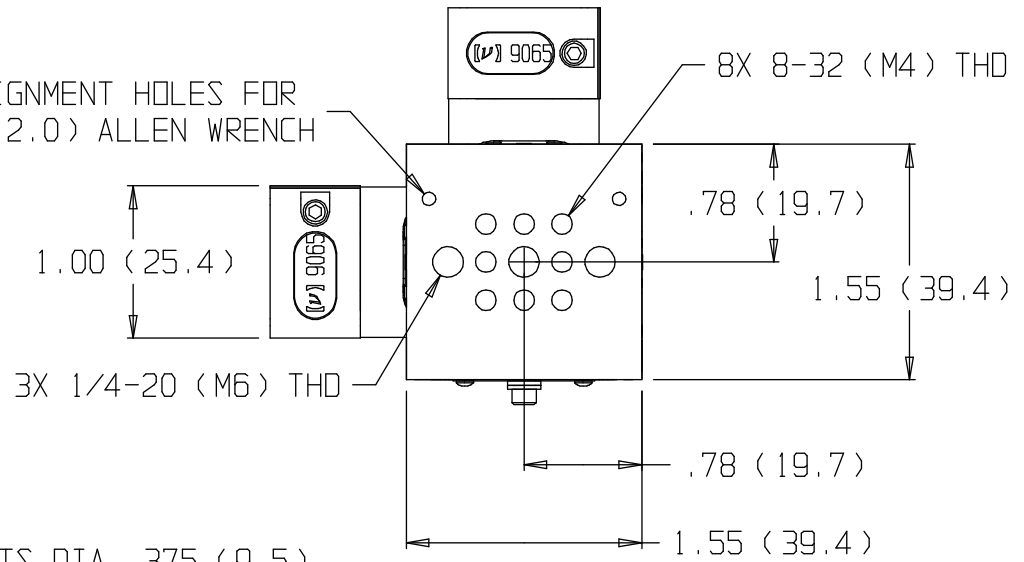


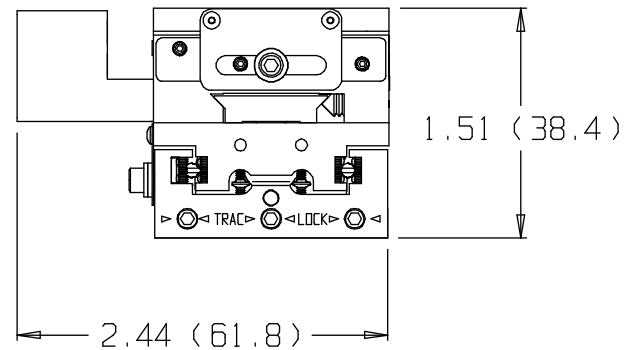
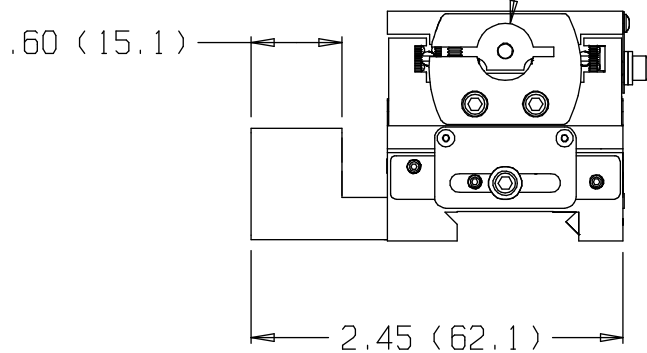
NOTES:

1. TRACK LOCK SCREW AND MICROMETER CLAMP ACCEPT 5/64" (2.0) ALLEN WRENCH
2. ENGLISH MOUNTING HOLES ON 1/2" GRID. METRIC MOUNTING HOLES ON 12.5MM GRID
3. FOR MOUNTING HOLE LOCATION REFER TO DRAWING 9065-X

2X ALIGNMENT HOLES FOR 5/64 (2.0) ALLEN WRENCH



2X ACCEPTS DIA .375 (9.5) ACTUATORS



9065-XY-R(M) TRANSLATION STAGE

 New Focus™