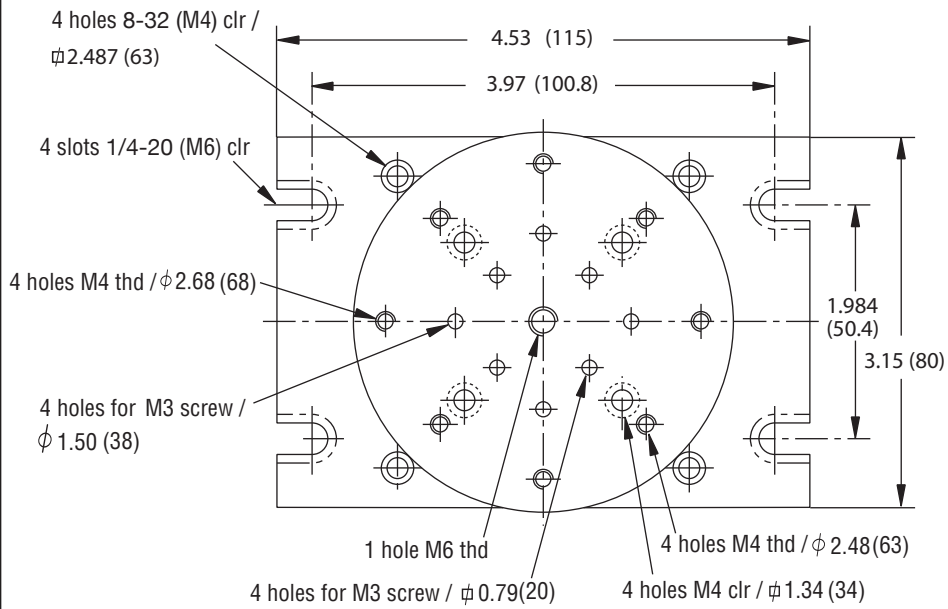
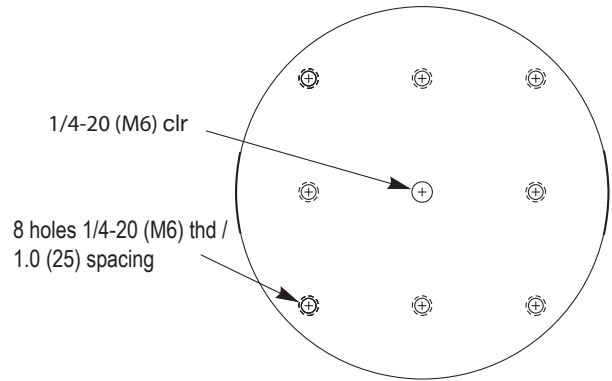


Adaptor plate



- Adaptor plate -

