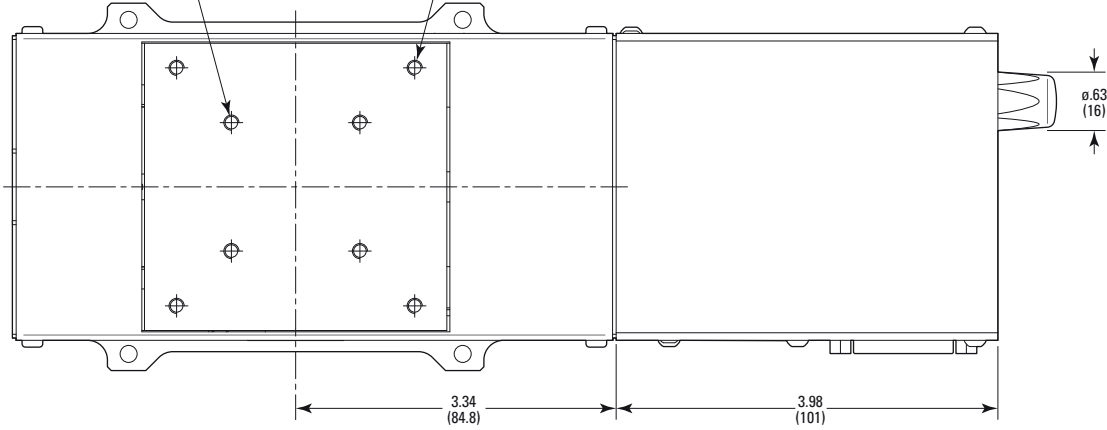
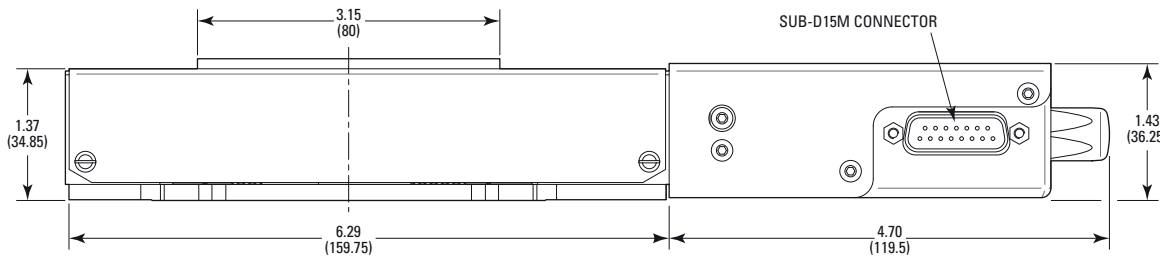


4 HOLES M4 THD ON SQR 1.34 (34)  
DEPTH: .20 (5)

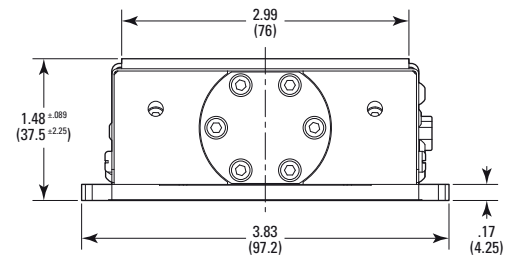
4 HOLES M4 THD ON SQR 2.48 (63)  
DEPTH: .24 (6)



A

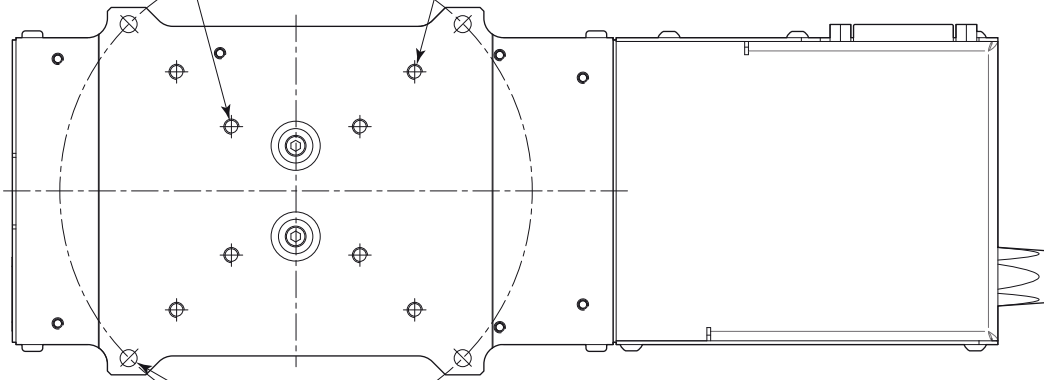


- VIEW A -



4 HOLES M4 THD ON SQR 1.34 (34)  
DEPTH: .20 (5)

4 HOLES M4 THD ON SQR 2.48 (63)  
DEPTH: .24 (6)



4 HOLES  $\phi$ .18 (4.5)  
AT 90° ON  $\phi$ 4.92 (125)

MODEL SHOWN: UZS80CC

DIMENSIONS IN INCHES (AND MILLIMETERS)

