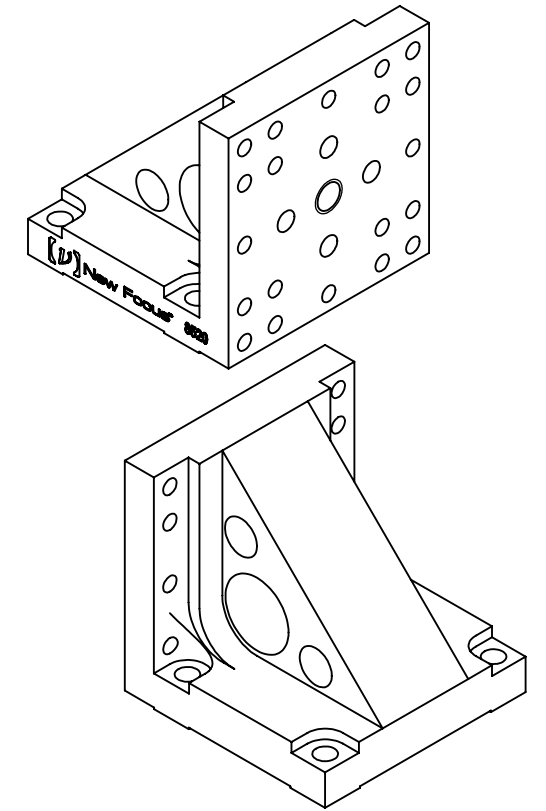
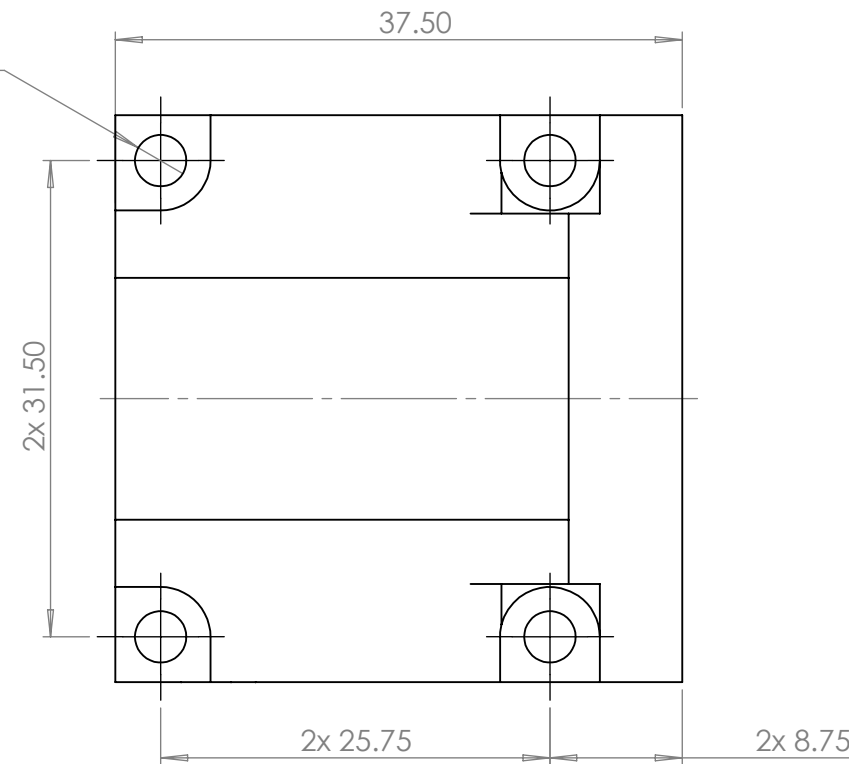


4x Clearance hole for M3 socket head cap screw



SCALE 1:1

SIZE <b>B</b>	CAGE CODE OR ECCN	DWG NO. <b>8520</b>	REV <b>B</b>
SCALE 2:1	MODEL FILE NAME 8520	1 OF 1	