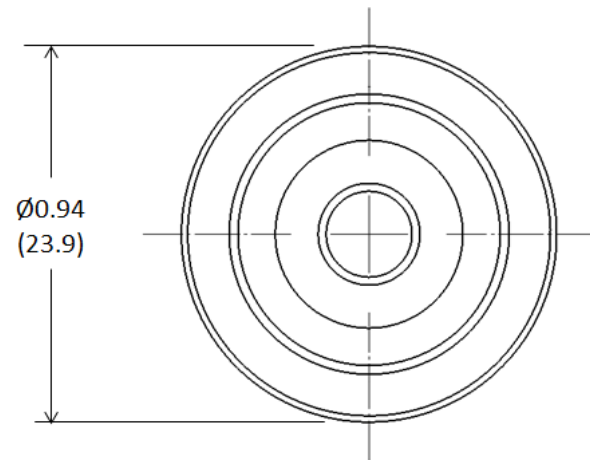
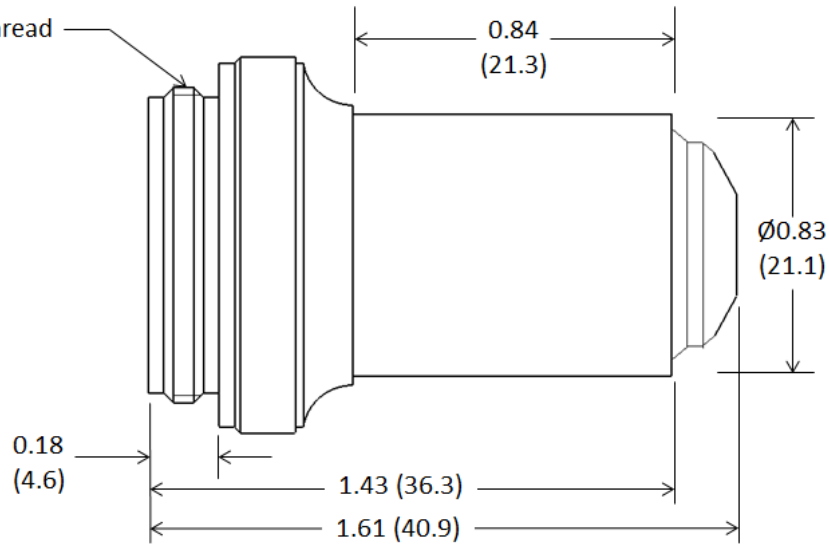


0.800-36 AMO Thread



*Units are in inches (millimeters)