

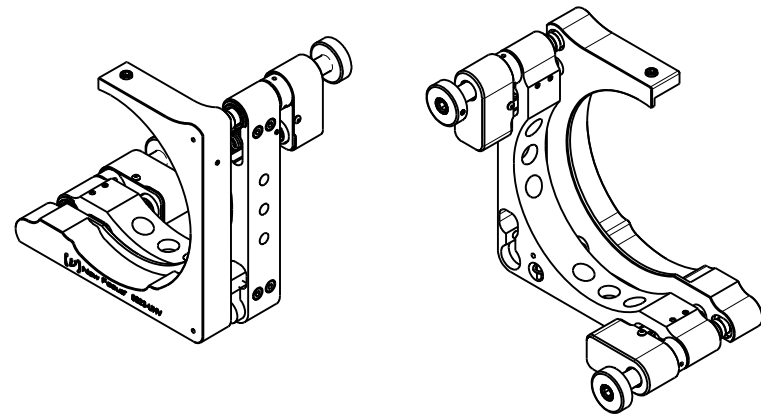


New Focus™

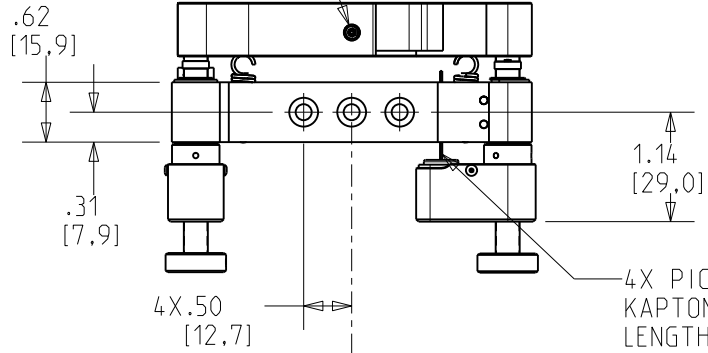
A Newport Corporation Brand

SCALE 1:2 [REV A] 8823-UHV. MOUNT, 3 IN. CE. UHV. PICOMOTOR

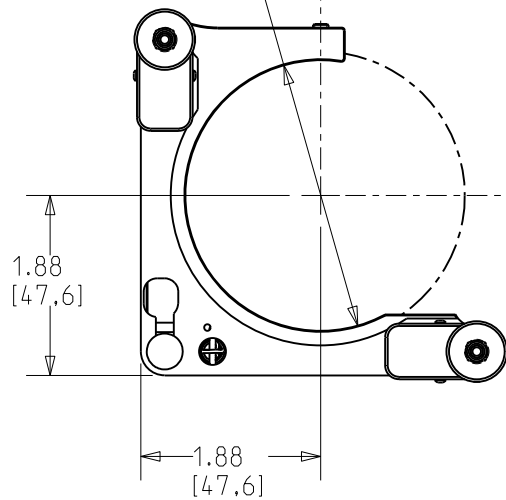
©2009 NEWPORT CORP., ALL RIGHTS RESERVED.



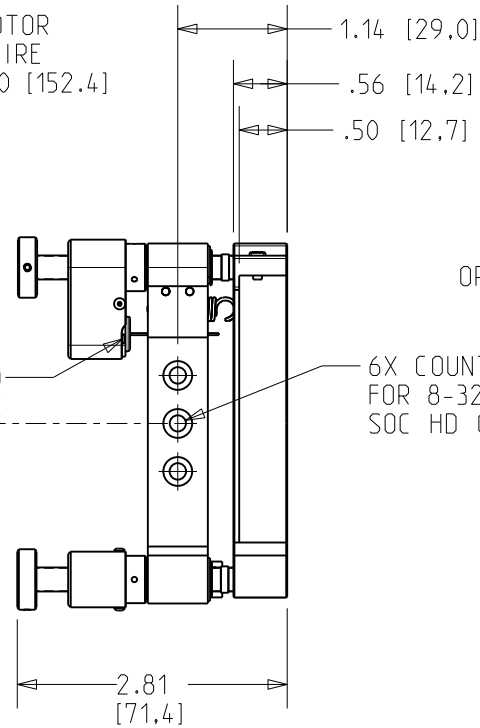
OPTIC RETAINING
SCREW 5/64 HEX



Ø2.82 [71.6]
CLEAR APERTURE



NEGATIVE (-)
POLARITY MARK



Ø3.00 [76.2]
OPTIC DIAMETER

