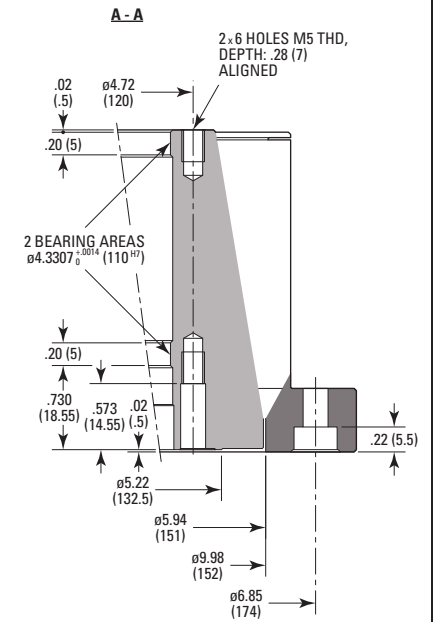
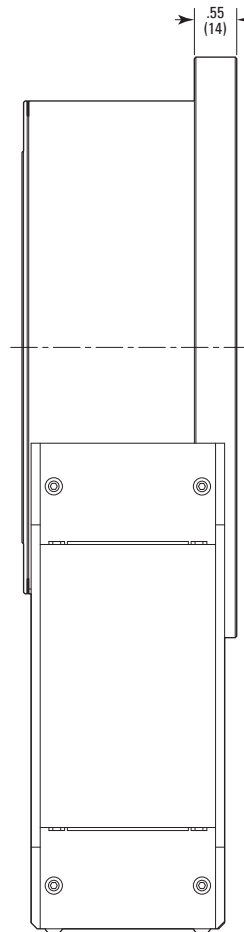
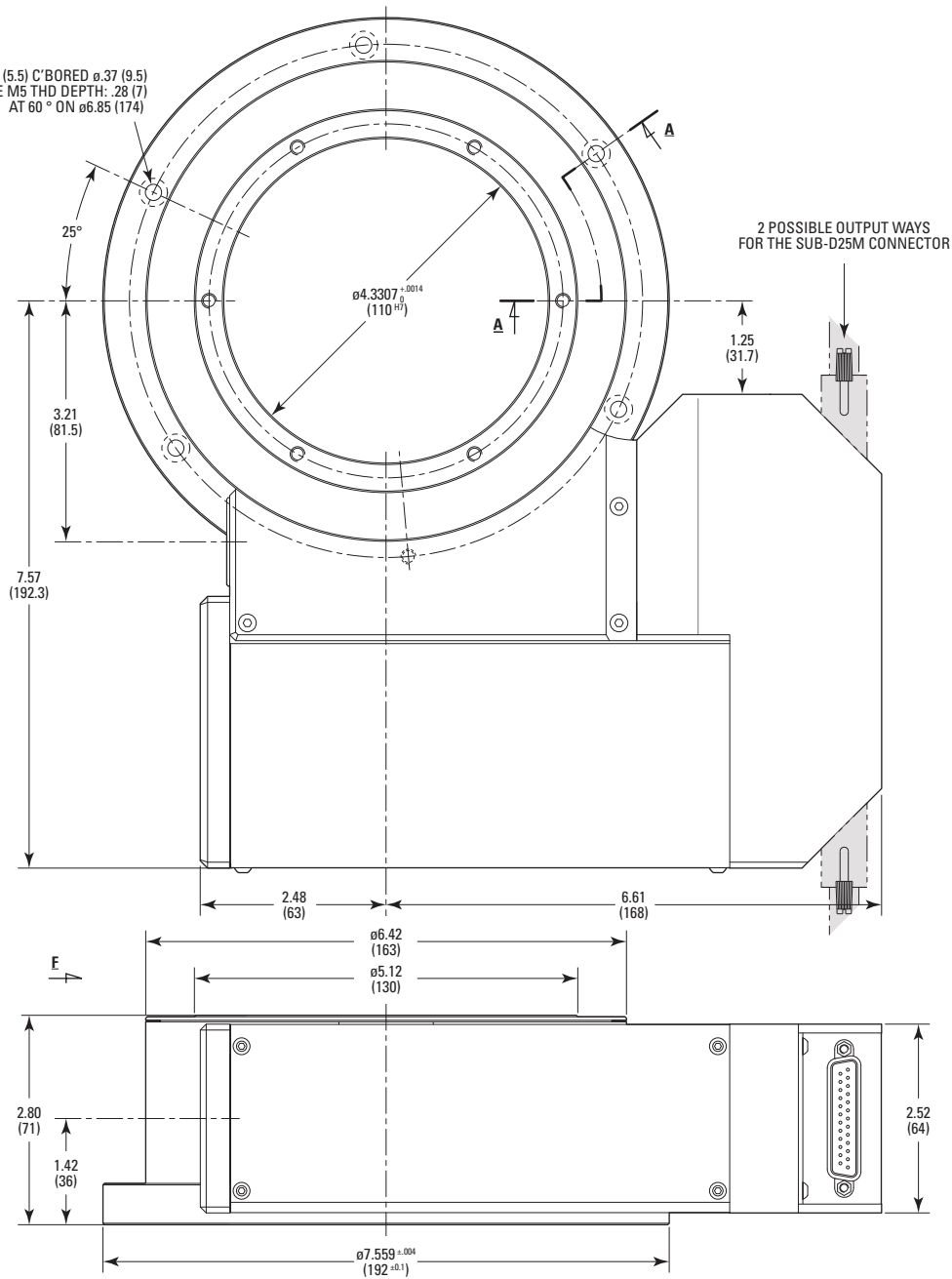
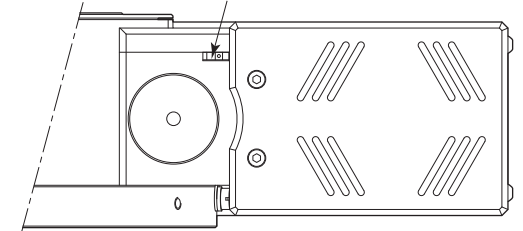


5 HOLES $\phi 22$ (5.5) C'BORED $\phi 37$ (9.5)
AND 1 HOLE M5 THD DEPTH: .28 (7)
AT 60° ON $\phi 6.85$ (174)



- VIEW F -
DISABLING OF LIMIT SWITCHES



MODEL SHOWN: RV160PE-FV6
DIMENSIONS IN INCHES (AND MILLIMETERS)

0 10 20 30 40 50 60 (MM)

0 1.0 2.0 (IN.)

SCALE 1:2.5