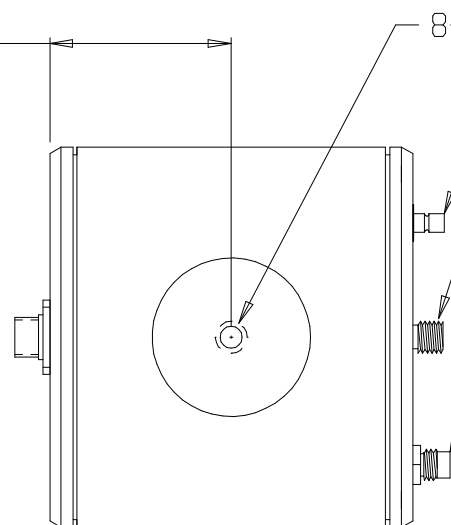


FC FIBER CONNECTOR

MODEL	DESCRIPTION
1801	125 MHz VISIBLE PHOTORECEIVER
1811	125 MHz IR PHOTORECEIVER
1601-AC	1 GHz VISIBLE PHOTORECEIVER
1611-AC	1 GHz IR PHOTORECEIVER

1.43 (36.3)



8-32 (M4) THD

DC BIAS OUTPUT; SMB CONNECTOR
(INCLUDED WITH AC VERSION ONLY)

AC COUPLED OUTPUT; SMA CONNECTOR
(AC VERSION)
DC-COUPLED OUTPUT (DC VERSION)

POWER CONNECTOR ($\pm 15V$)

16X1-AC/18XX(M) PHOTORECEIVER

 New Focus™