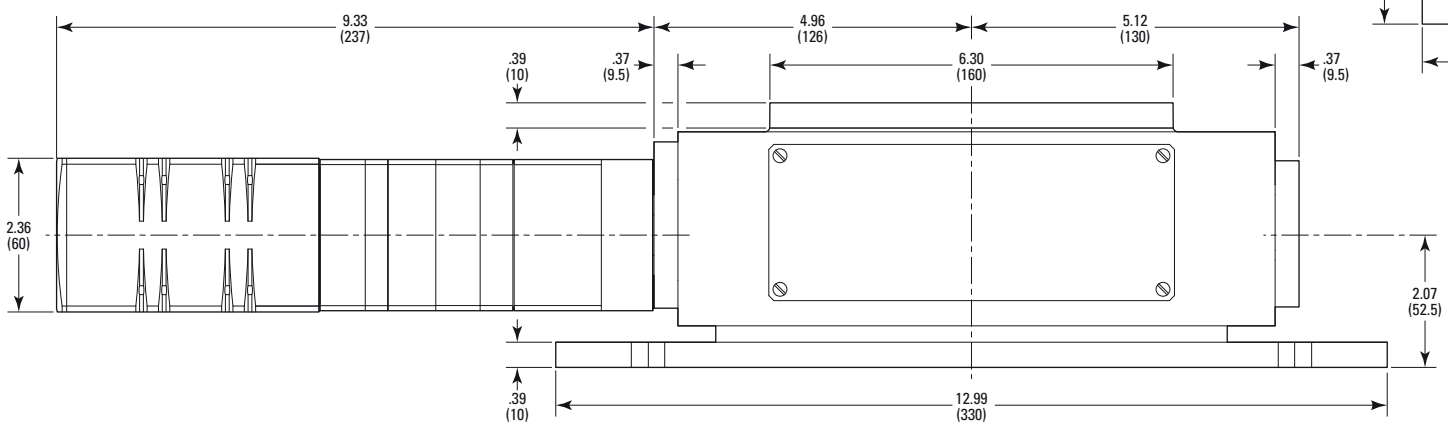
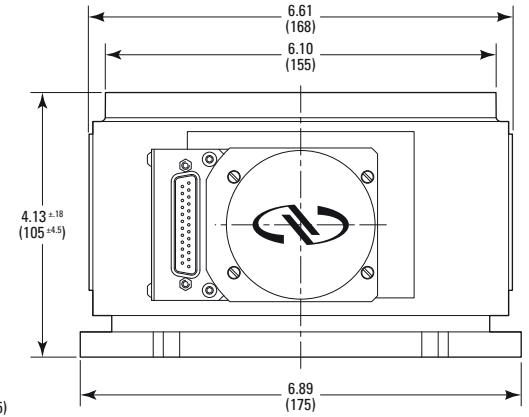


- VIEW A -



MODEL SHOWN: UZM160CC.05
 DIMENSIONS IN INCHES (AND MILLIMETERS)
 0 1.0 2.0 3.0 IN.
 0 20 40 60 80 (MM)
 SCALE 1:3

