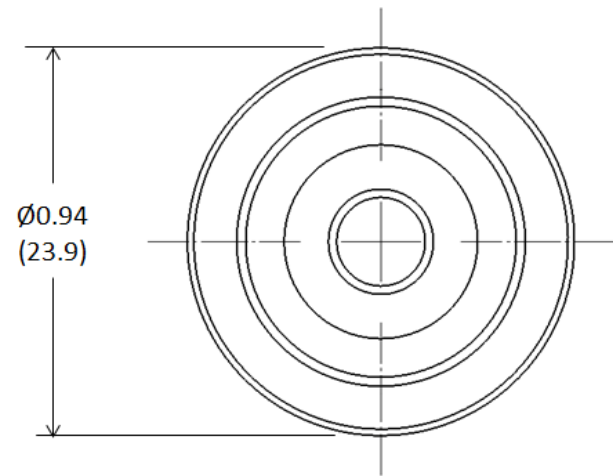
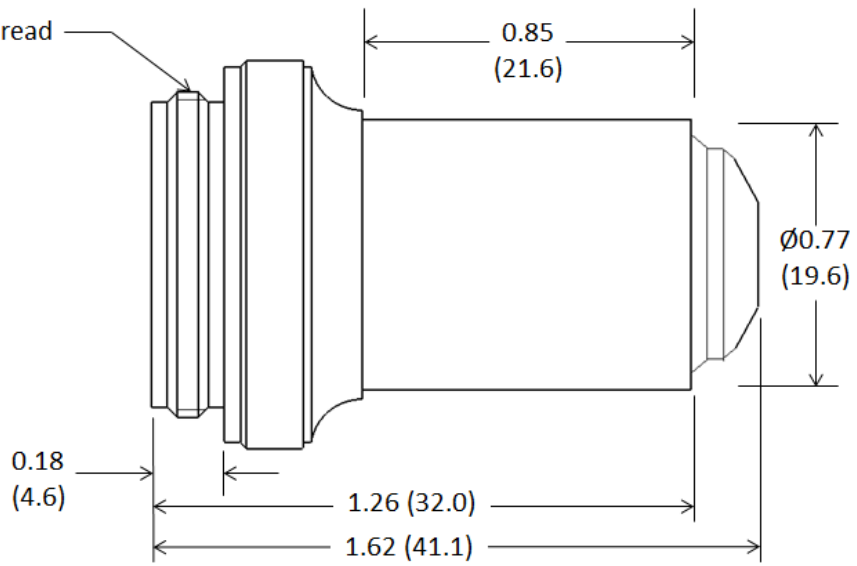


0.800-36 AMO Thread



\*Units are in inches (millimeters)