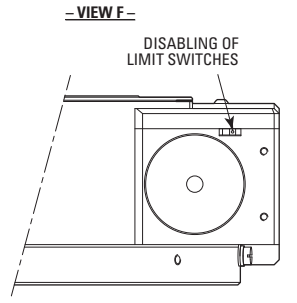
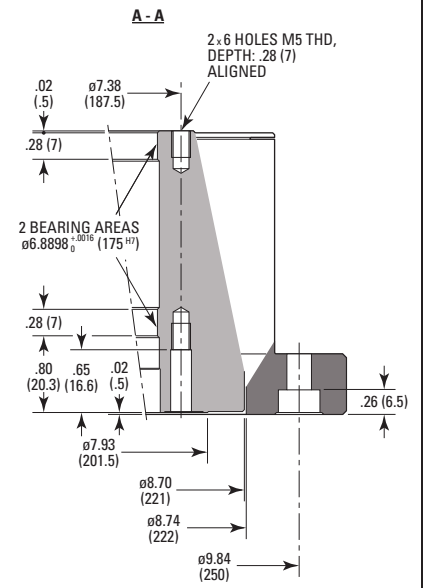
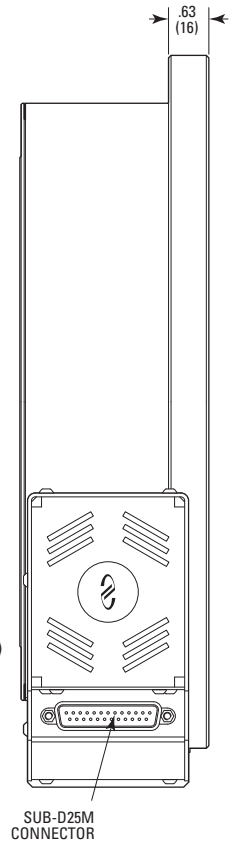
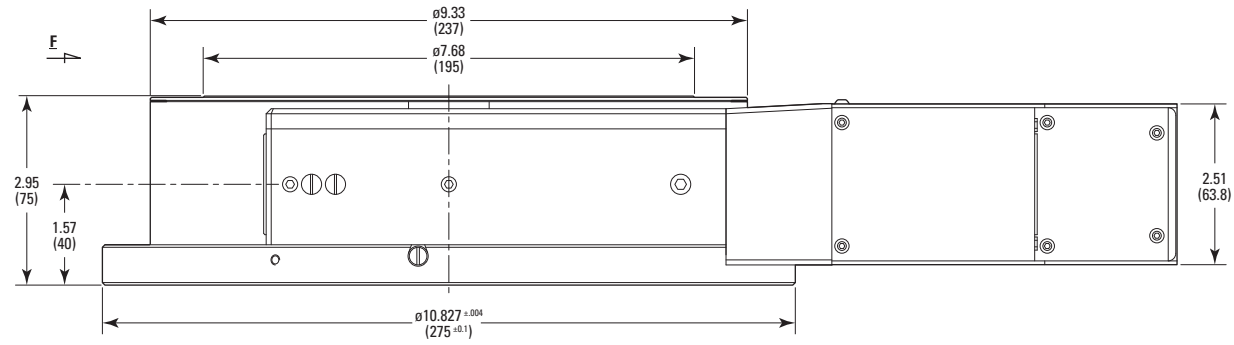
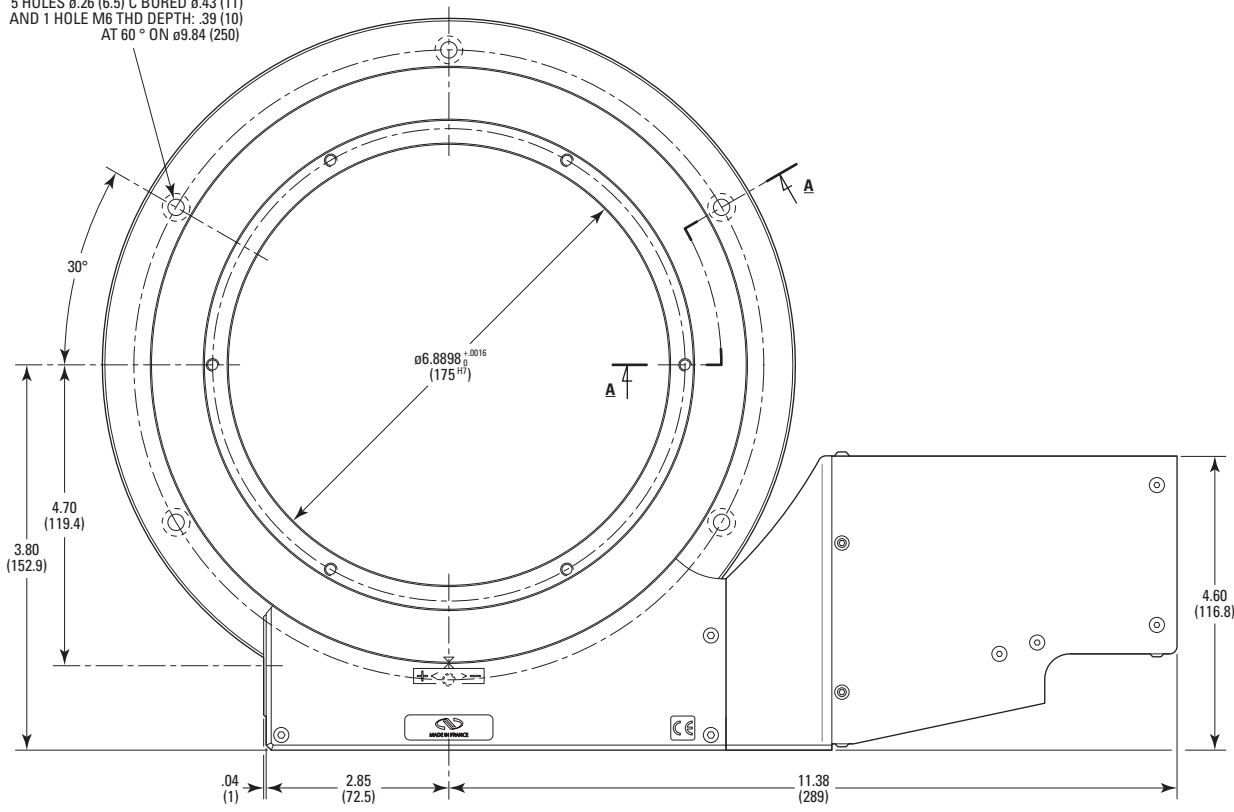


5 HOLES $\phi .26$ (6.5) C'BORED $\phi .43$ (11)
AND 1 HOLE M6 THD DEPTH: .39 (10)
AT 60° ON $\phi 9.84$ (250)



MODEL SHOWN: RV240BPP AND RV240CC
DIMENSIONS IN INCHES (AND MILLIMETERS)
0 1.0 2.0 3.0 IN.
0 20 40 60 80 (MM)
SCALE 1:3

