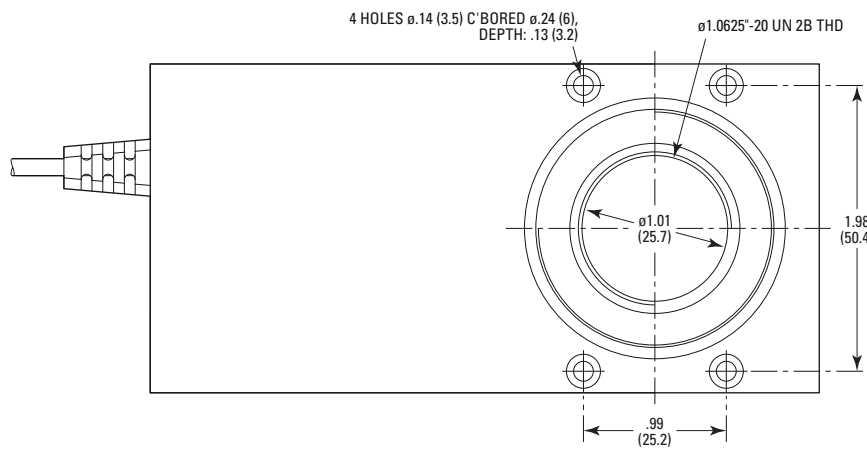
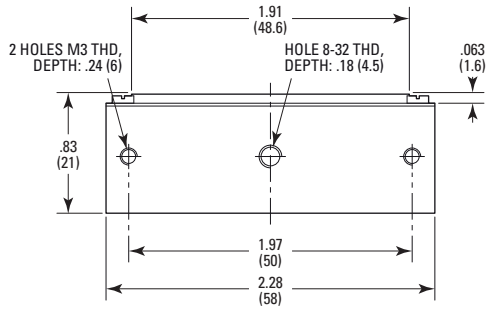
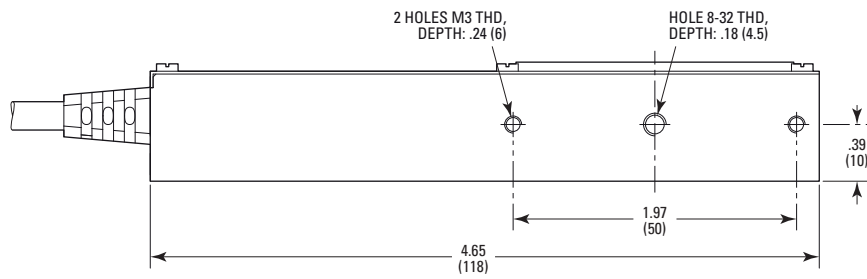
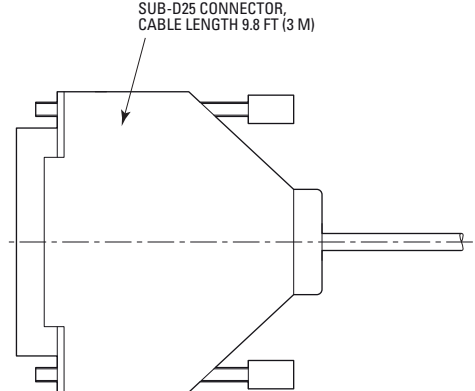
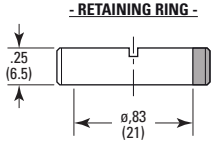


TOP VIEW SHOWN WITH RETAINING RINGS



BOTTOM VIEW SHOWN WITHOUT RETAINING RINGS



MODEL SHOWN: PR50
 DIMENSIONS IN INCHES (AND MILLIMETERS)
 0 5 10 15 20 25 30 35 IN. (MM)
 SCALE 3:4

