

2X 8-32 (M4) THD THU

2X SLOT TO CLEAR
1/4-20 (M6) SCREW

7X 1/4-20 (M6) THD &
C' BORE FAR SIDE FOR
1/4 (M6) SOC HD

1.91 (48.4)
APPROXIMATE
CENTER FOR
STAGE

2.01 (51.0)
APPROXIMATE
CENTER FOR
STAGE

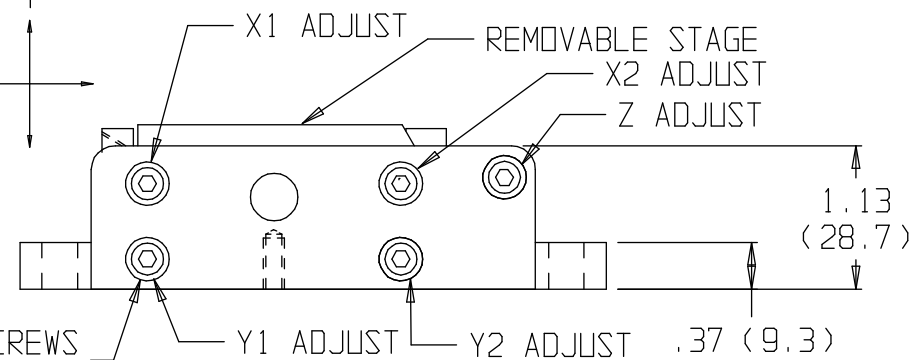
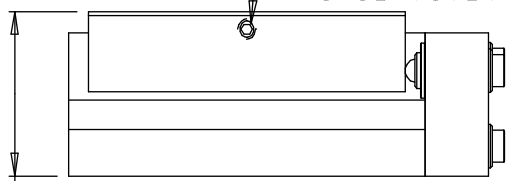
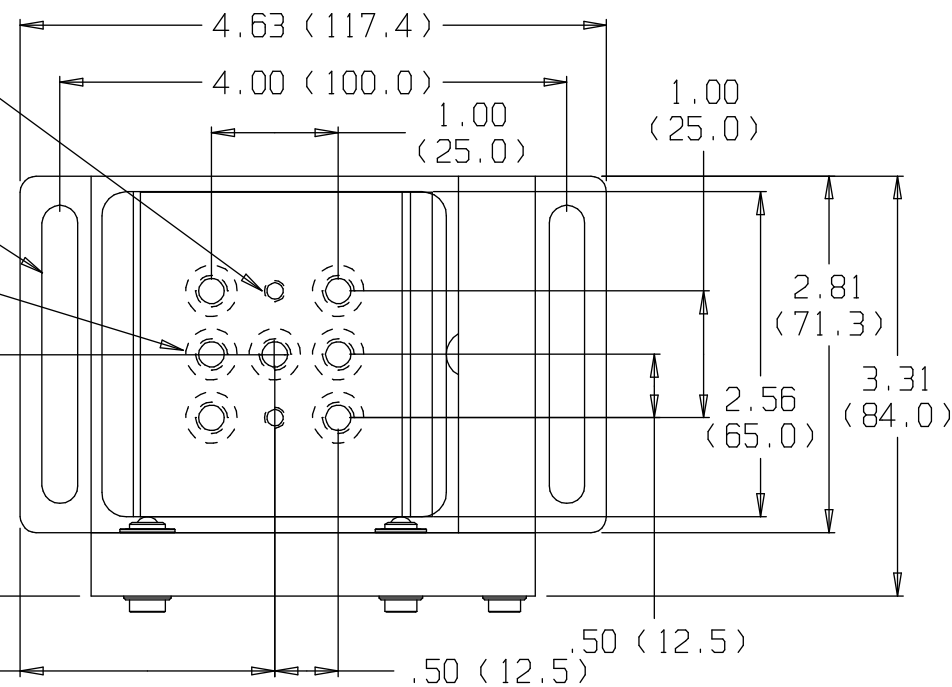
END
VIEW Y
AXIS
X

LOCKING SCREW FOR
REMOVABLE STAGE
1/16 (1.5) ALLEN

SIDE
VIEW Y
AXIS
Z

1.26 (32.0) MIN
1.39 (35.3) MAX

5X ADJUSTMENT SCREWS
1/8 (3.0) ALLEN



9082(M) FIVE AXIS ALIGNER

 New Focus™