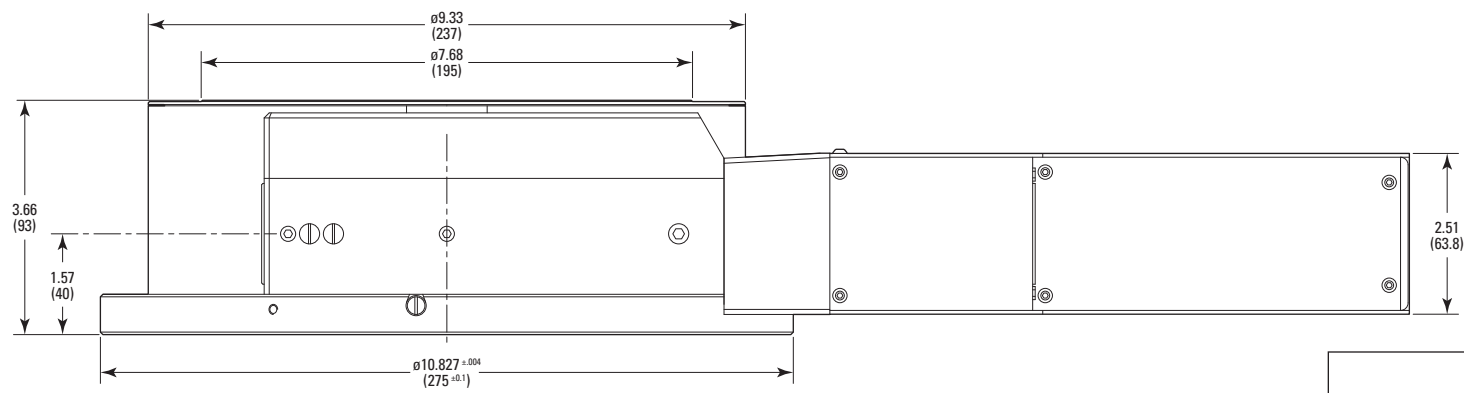
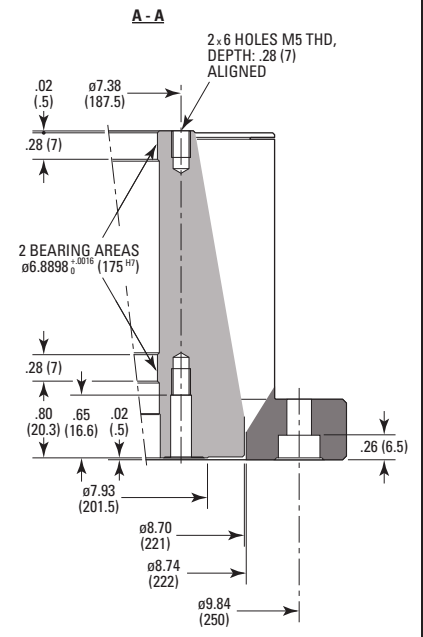
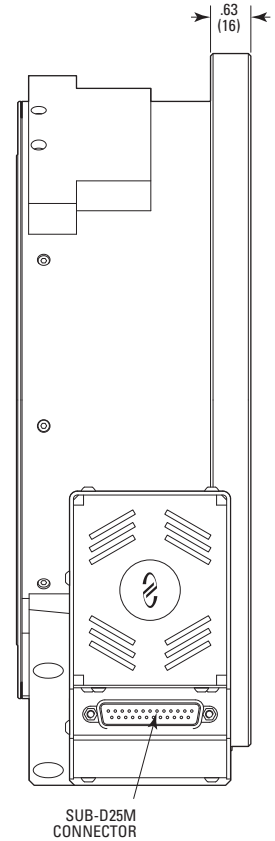
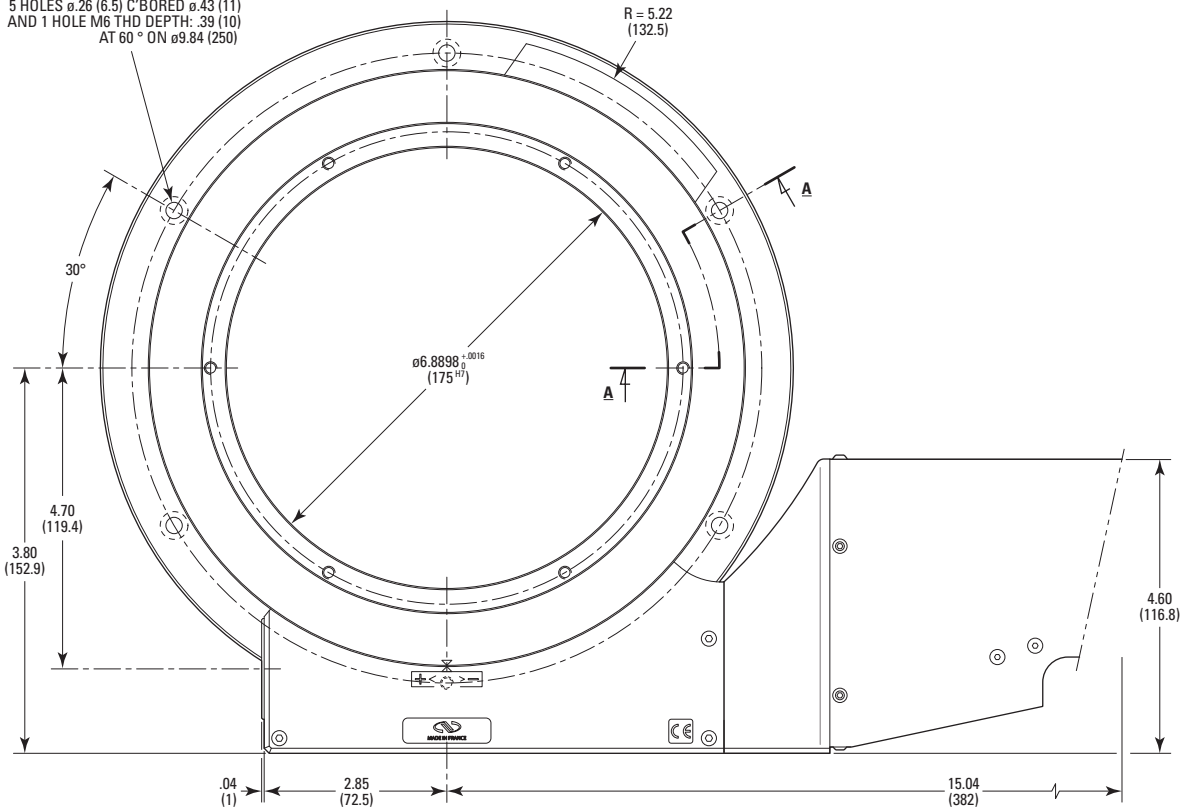


5 HOLES  $\phi .26$  (6.5) C'BORED  $\phi .43$  (11)  
AND 1 HOLE M6 THD DEPTH: .39 (10)  
AT 60° ON  $\phi 9.84$  (250)

R = 5.22  
(132.5)



**MODEL SHOWN: RV240HAHLT**  
DIMENSIONS IN INCHES (AND MILLIMETERS)  
0 1.0 2.0 3.0 IN.  
0 20 40 60 80 (MM)  
SCALE 1:3

