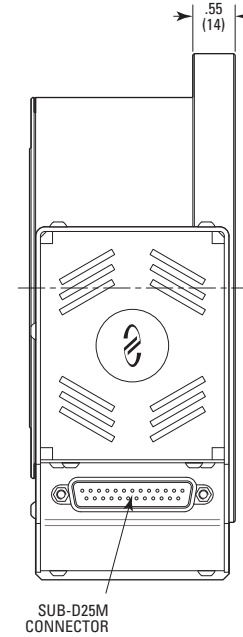
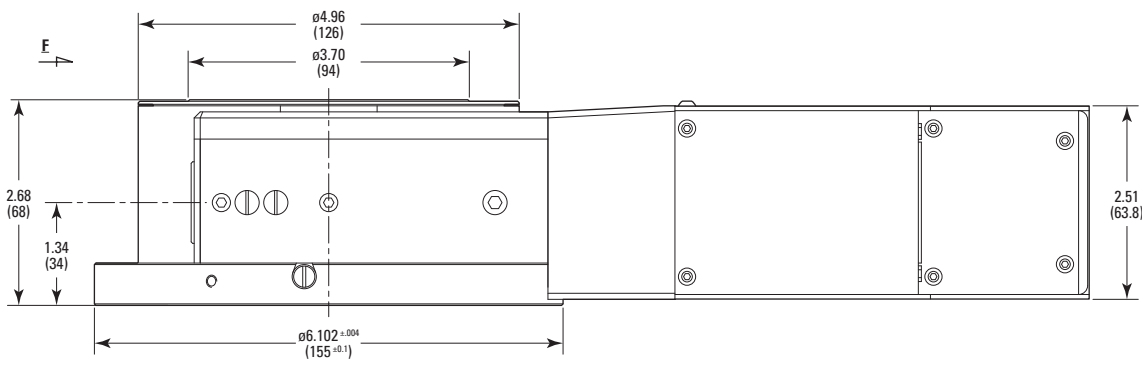
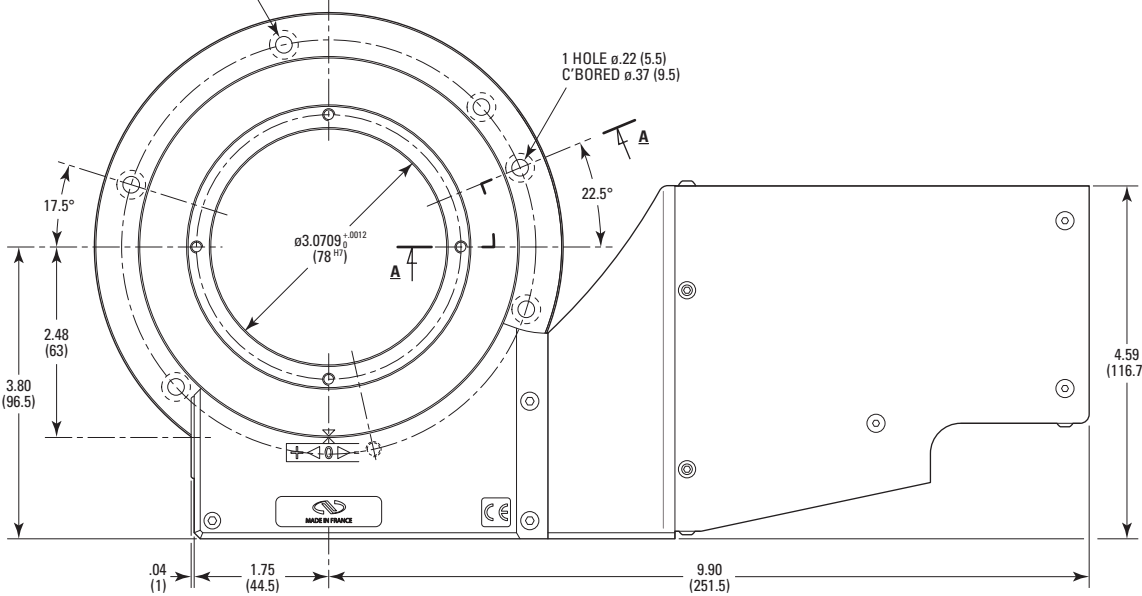
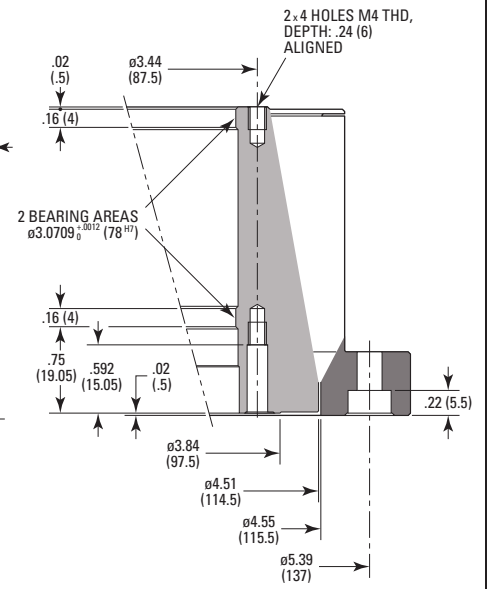


5 HOLES $\phi .22$ (5.5) C'BORED $\phi .37$ (9.5)
AND 1 HOLE M5 THD DEPTH: .28 (7)
AT 60° ON $\phi 5.39$ (137)

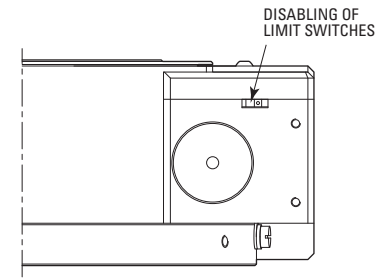
1 HOLE $\phi .22$ (5.5)
C'BORED $\phi .37$ (9.5)



A-A



-VIEW F-



MODEL SHOWN: RV120BPP, RV120BPE AND RV120CC

