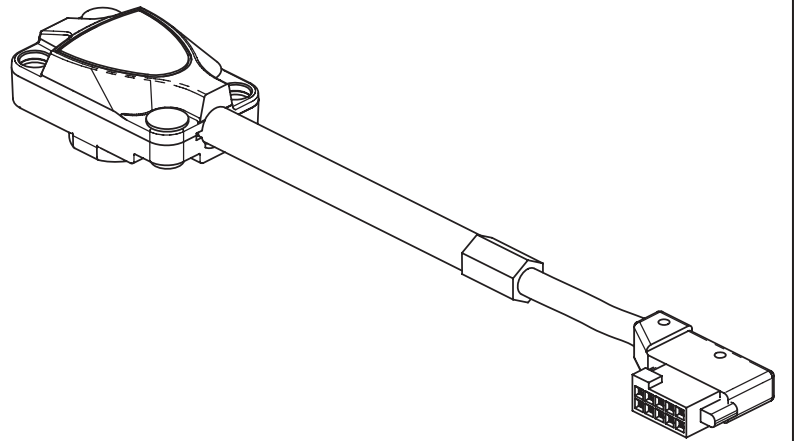
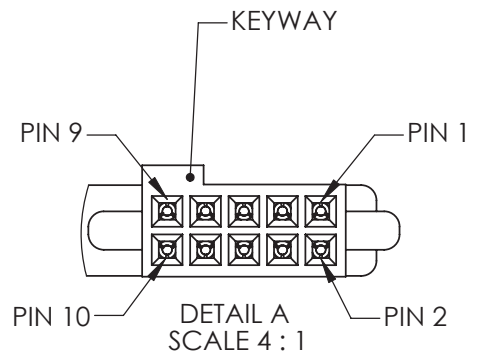


5 X 2 .050" PTICH HEADER

Pin	Functions
1	SIN+
2	Index Window-
3	SIN-
4	GND
5	COS+
6	Index Window+
7	COS-
8	+5V
9	N/C
10	N/C



195-00295

