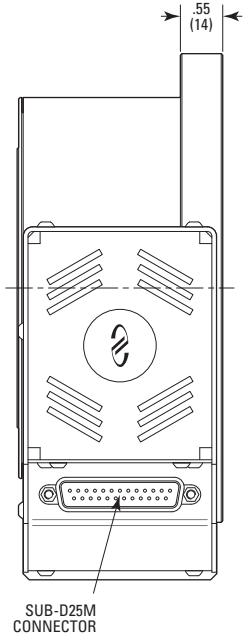
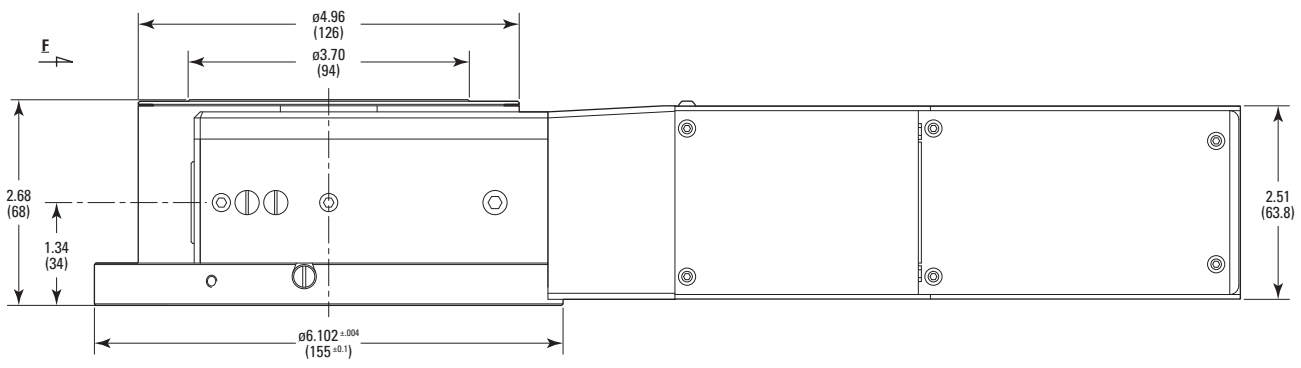
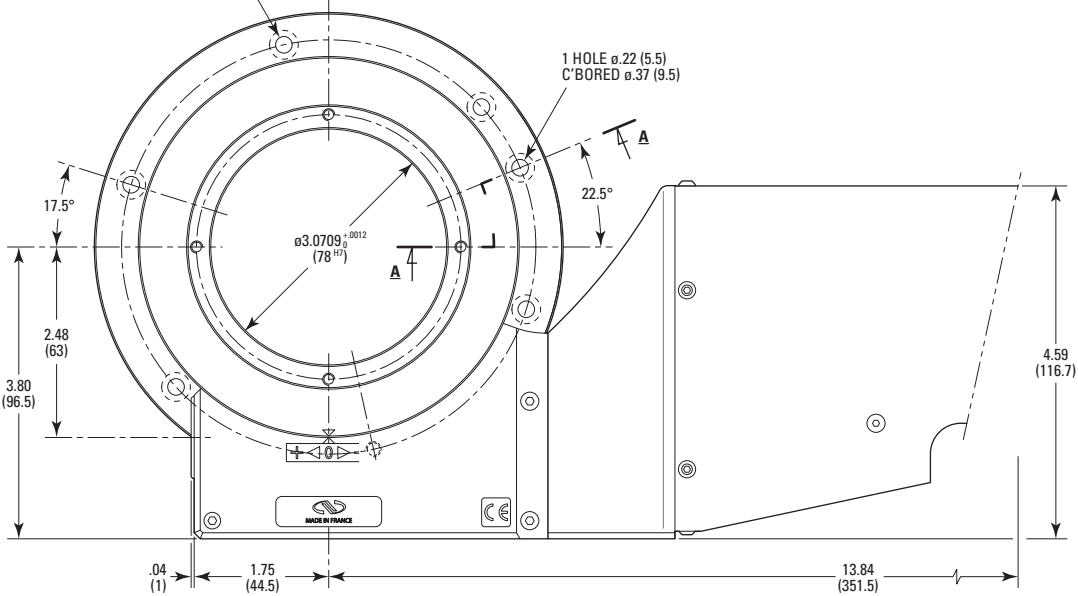
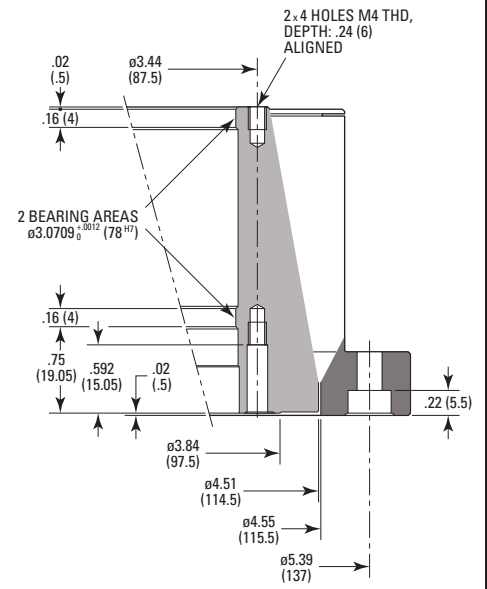


5 HOLES $\phi .22$ (5.5) C'BORED $\phi .37$ (9.5)
AND 1 HOLE M5 THD DEPTH: .28 (7)
AT 60° ON $\phi 5.39$ (137)

1 HOLE $\phi .22$ (5.5)
C'BORED $\phi .37$ (9.5)

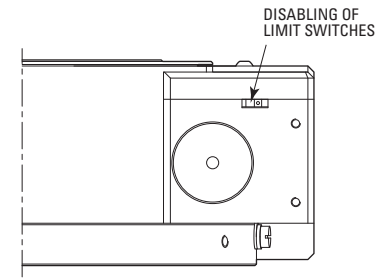


A-A



2 x 4 HOLES M4 THD,
DEPTH: .24 (6)
ALIGNED

-VIEW F-



MODEL SHOWN: RV120CCHL
DIMENSIONS IN INCHES (AND MILLIMETERS)
0 1.0 2.0 IN.
0 10 20 30 40 50 60 (MM)
SCALE 1:2.5

