

DL-BKIT19-M SINGLE PASS DELAY LINE KIT INSTRUCTION SHEET

Instruction Sheet

KIT CONTENTS:

Material Number	Material Description	Quantity
M9454A	KIT OF SCREWS	1
10D620ER.2	VALUMAX Mirror 1 in Dia, ER.2 Metallic	4
9848	ASSY. DELAY LINE MOUNT	1
ID-0.5	IRIS,0.5 IN.	2
M-PS-0.5	POST PEDESTAL	1
M-PS-2Z	ASSY, POST, PEDESTAL, MAGNETIC	3
MH-2P	HOLDER,OPTICS	2
PS-0.125	SPACER, POST, 1.0 IN DIAMETER	2
PS-0.25	SPACER, POST, 1.0 IN DIAMETER	1
PS-F	FORK, CLAMPING	4
M-SS-1-B	ADAPTER,SPACER	1
U100-A2K	MOUNT,ONE-INCH,THREE SPRING	2

Motion stage and controller are sold separately.

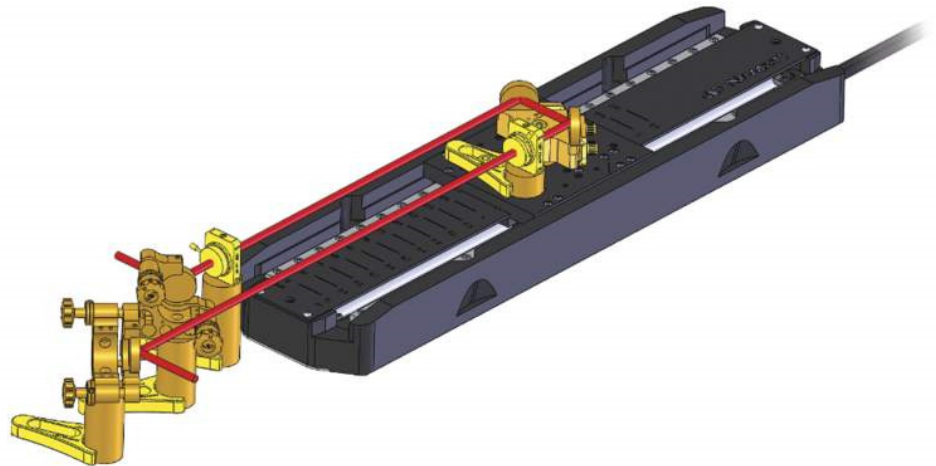
Purpose:

The delay line kit enables precise variation of the optical path length. This is a quadruple pass delay line kit for the UV wavelengths.

Instructions:

Assembly products as shown in the image.

Use the iris diaphragm ID-0.5 installed in the MH-2P to help with beam height standardization. Optional additional iris diaphragms will help if the alignment is too challenging.



Please use caution while handling all optic lenses

Contact customer service if any parts are missing or damaged.