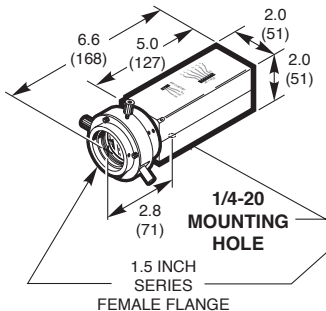
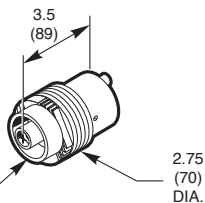


LENS BASED DETECTORS

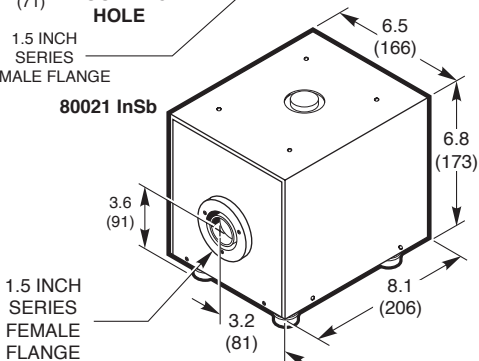
80019 Si, 80020 InGaAs
80014 EXTENDED InGaAs



80015, 80016
HgCdZnTe

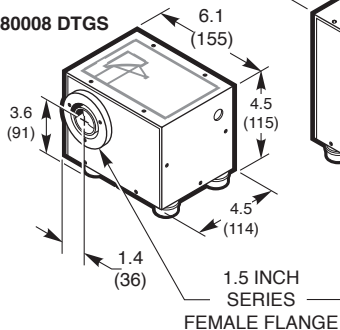


80021 InSb



MIRROR BASED DETECTORS

80008 DTGS



80026 MCT

