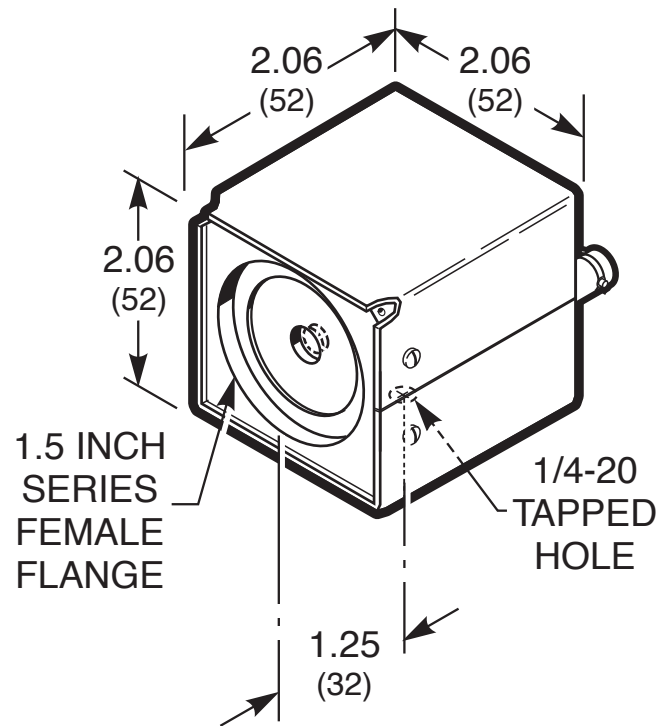


GaN AND Si,
GaN AND Si, UV ENHANCED,
Si, VIS-IR,
InGaAs AND Ge DETECTOR



71608/38
Si, UV ENHANCED
DETECTORS

