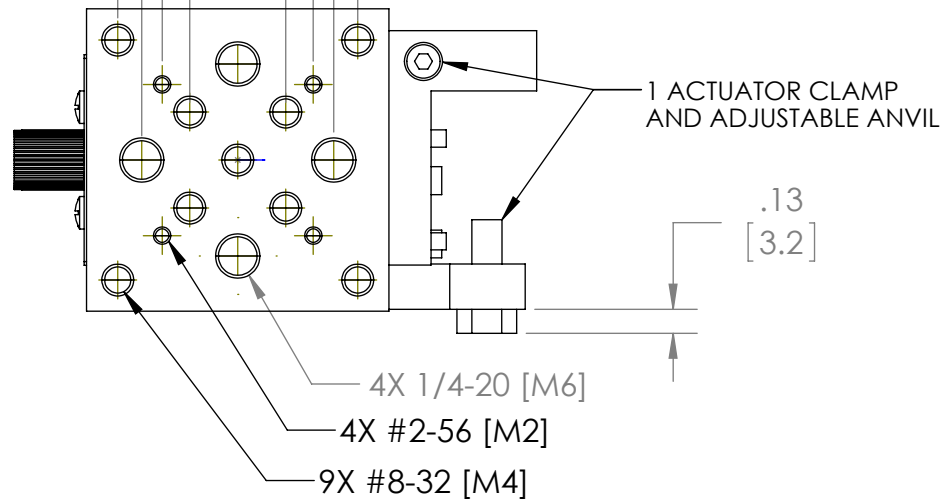
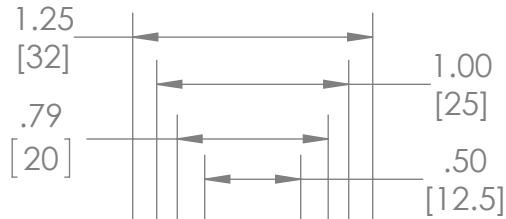
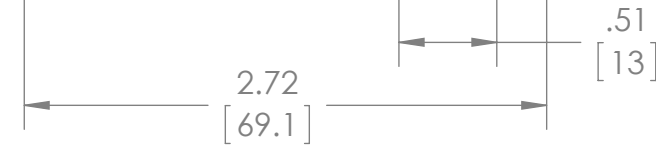


LOCKING SCREW

ACCEPTS $\varnothing 0.38"$ (9.5)
ACTUATORS

MODEL # 9062-COM (9062-COM-M)

Gothic-Arch X Translation Stage,
40 x 40mm, #8-32, 1/4-20 [M6] Threads
No Baseplate.

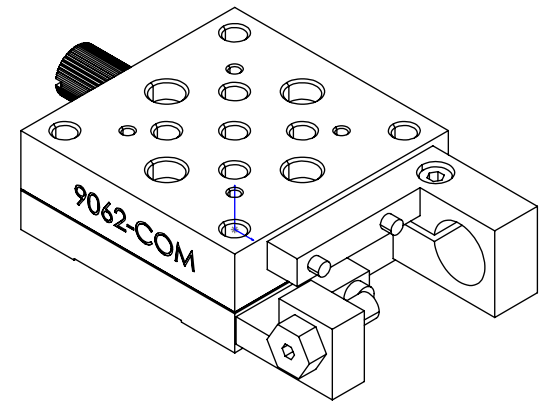
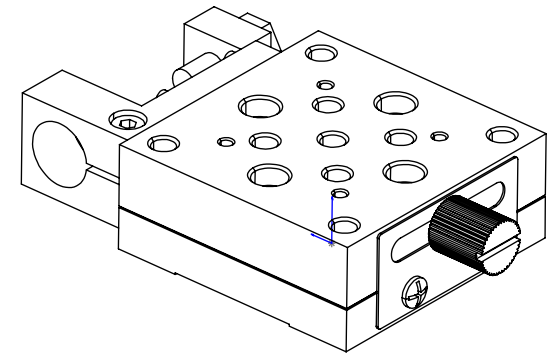


.13 [3.2]

.63 [16]

1.57 [40]

9062-COM



THIRD ANGLE
PROJECTION