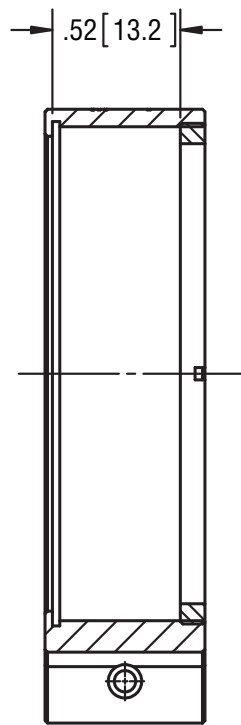
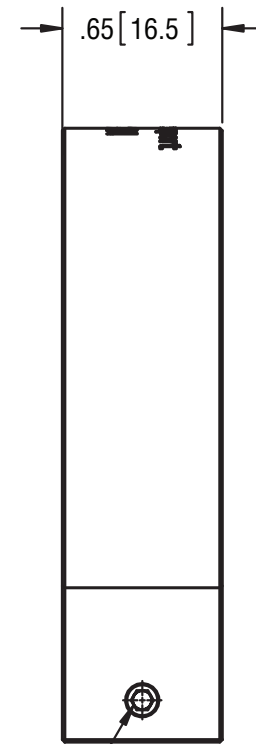
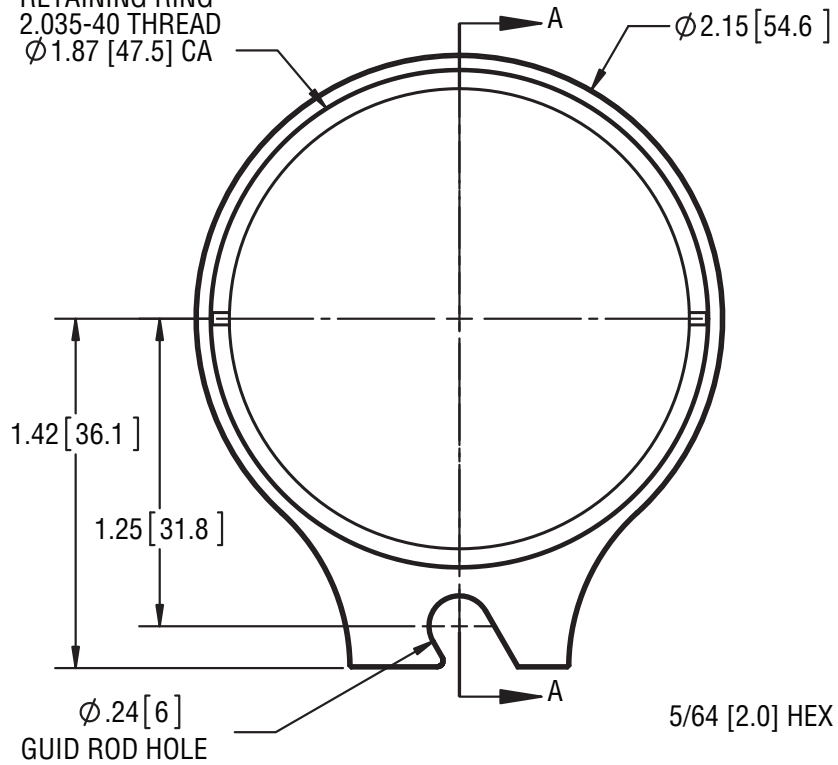


Newport
LH-2N



SECTION A-A

RETAINING RING
2.035-40 THREAD
 ϕ 1.87 [47.5] CA



5/64 [2.0] HEX KEY