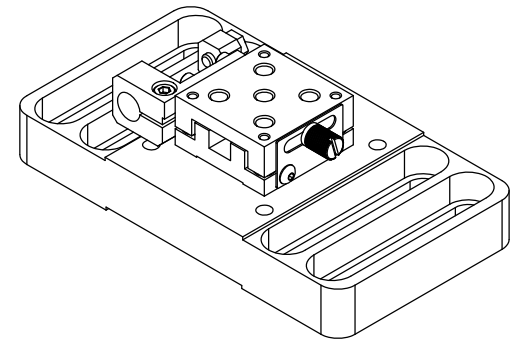
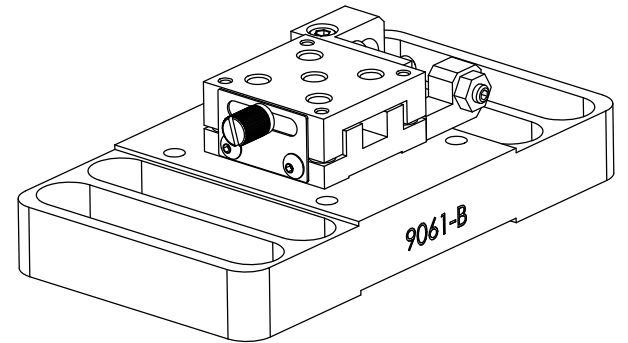
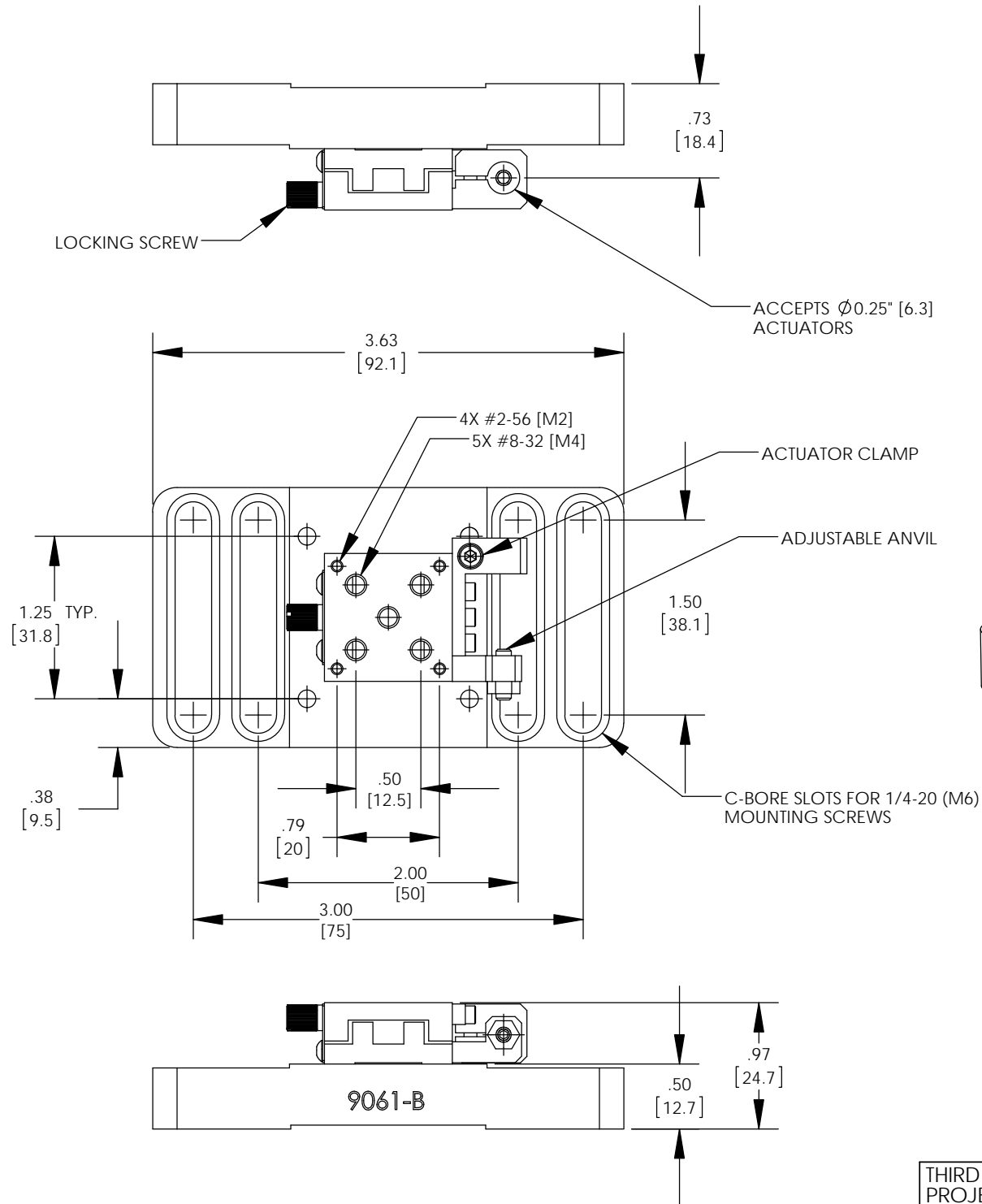


MODEL # 9061-X (9061-X-M)

Gothic-Arch X Translation Stage,
25 x 25 MM Platform, #8-32 (M4)



THIRD ANGLE
PROJECTION