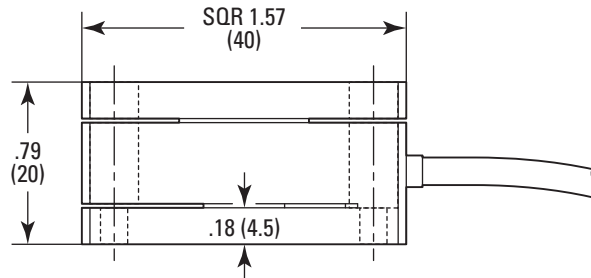
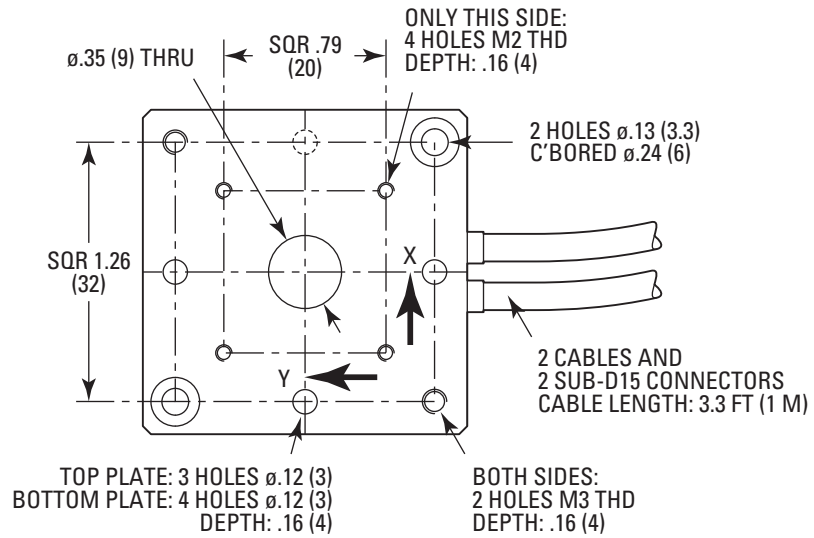


- TOP PLATE -



DIMENSIONS IN INCHES (AND MILLIMETERS)