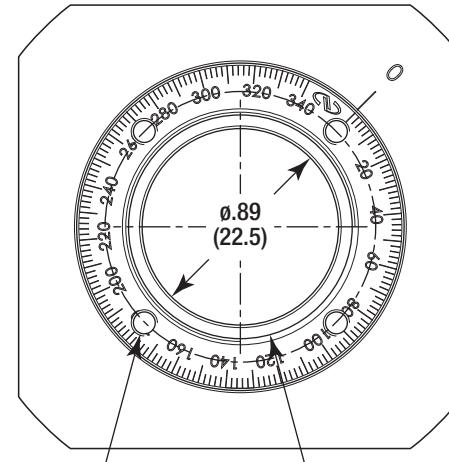
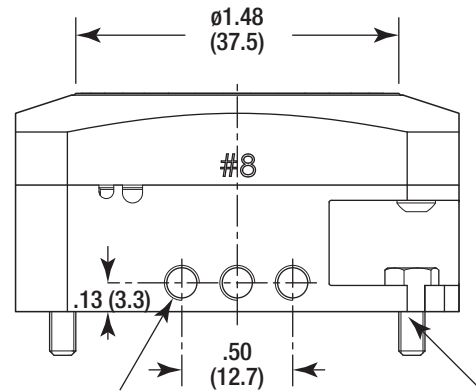


**MODEL SHOWN: AG-PR100P**  
 DIMENSIONS IN INCHES (AND MILLIMETERS)



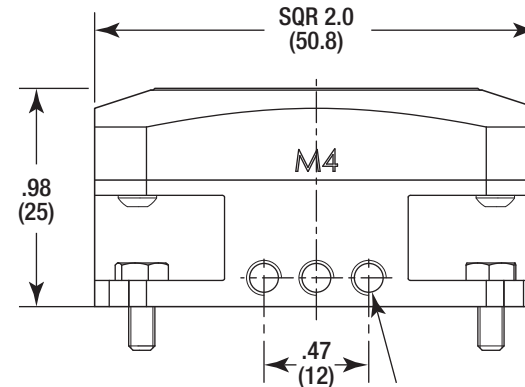
4 HOLES M3 THD ON  $\phi 1.22$  (31)  
 DEPTH: .14 (3.5)

1"1/16-20 UN-2B THD  
 DEPTH: .77 (19.5)



3 HOLES #8-32 THD  
 DEPTH: .18 (4.5)

MOUNTING BY  
 3 CHC M3 SCREWS  
 ON SQR 1.57 (40)



3 HOLES M4 THD  
 DEPTH: .18 (4.5)