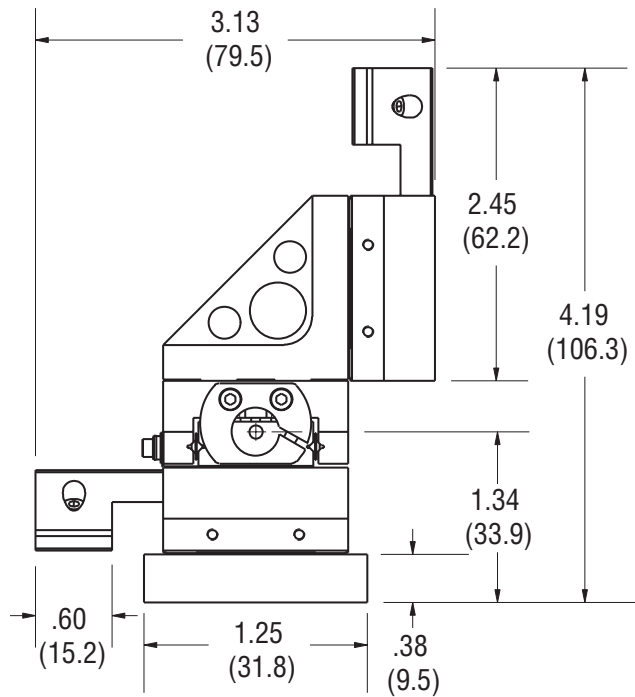


2X C'Bore Slot For 1/4-20 (M6)
On 1.99 (50.5) Spacing
Mounting Screws



8X 4-40 (M2.51) on 1.17x.58 (29.7x14.7)
For Stage Stacking

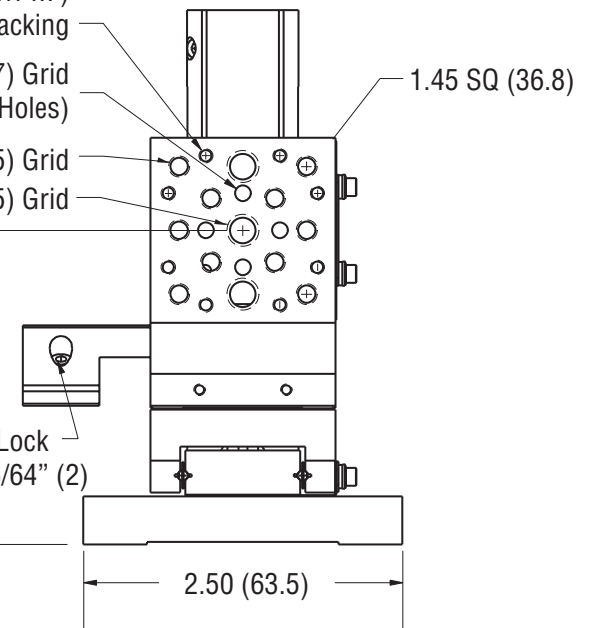
4X Dia. 0.125 (3.17) on .50 (12.7) Grid
(Alignment Pin Holes)

10X 8-32 (M4) on .50 (12.5) Grid

3X 1/4-20 (M6) on .50 (12.5) Grid

2.46
(62.5)

Actuator Clamp Lock
Screw Accepts 5/64" (2)
Allen Wrench



Shown is configuration of 9066-XYZ-L. 9066-XYZ-R has the Y-axis actuator on the opposite side of the stage