

Installation of Table Enclosure

Your enclosure has been shipped to you in semi-kit form. The top has the frame attached with the corner pieces (4) installed. The posts and plex panels are packaged individually along with a package of mounting hardware.

1. Uncrate the enclosure top and remove the four corner pieces. They are retained by No. 8-32 set screw in each end piece.
2. Remove the corner posts from crate and position them on to your table top (see Fig. 12) so that the hole pattern on your table is aligned with the holes (slots) in the bottom flange of the post. Install two $\frac{1}{4}$ -20 (M6) button head bolts, but do not tighten snugly at this point.
3. Position the enclosure top on to the top flanges of the posts aligning the hole pattern on the post flange with the two holes in each corner of the enclosure top (see Fig. 11). Notice that the holes in the top are $\frac{1}{2}$ " (13 mm) diameter. This is to accept the feed-thru spacers, which are attached with $\frac{1}{4}$ -20 (M6) button head bolts and flat washers.
4. Once all pieces are together, all of the mounting bolts may now be secured (see Fig. 12 and Fig. 13).
5. Remove the panel guide pieces from the crate (two short pieces and two long pieces). The shorter pieces are installed on the table ends while the longer ones are for the sides (see Fig. 12 and Fig. 13). Position them as shown in Fig. 13 and drill into the table edge finish thru the existing holes in the lower flange with a $\frac{3}{32}$ " (2.40 mm) diameter drill using the guide piece as a drill jig. The guide piece may now be attached by using the pan head wood screws you will find in the hardware kit.
6. The plex panels are packaged with protective paper to protect the finish. Do not remove this paper at this time. You will notice that each panel has a letter marked on it, i.e., "A," "B," etc. Refer to Fig. 14 and find the size (in feet) that corresponds to your table size. Notice that the drawing represents the enclosure top view and the relative position of each panel. It also shows you which race to hang the panel in (see Fig. 13). Example: "A" panels go into inner race and "B" panels go into outer race. Also remember that in order to have proper fitting panels, the letter marked on the panel should always be facing outward when installed.
7. Slide all panels into place and reinstall the corner pieces. Retighten the set screws that hold each corner piece. Slide all panels to make sure you have them properly located. If the panels are sticky or hard to slide, apply a small amount of silicone grease onto the lower part of the plex hangers where they ride in the races (see Fig. 13).
8. The protective coating on the plex panels may now be removed. If there is a possibility that the panels will ever be removed all at one time, they should all be marked for their location for ease of re-installation.

NOTE: The end panels do not slide, but if access to the end of the table is required and not practical from the side, the corner piece may be temporarily removed from either end to allow end panel to be slid to one side for access.

Figure 11 — Table Enclosure

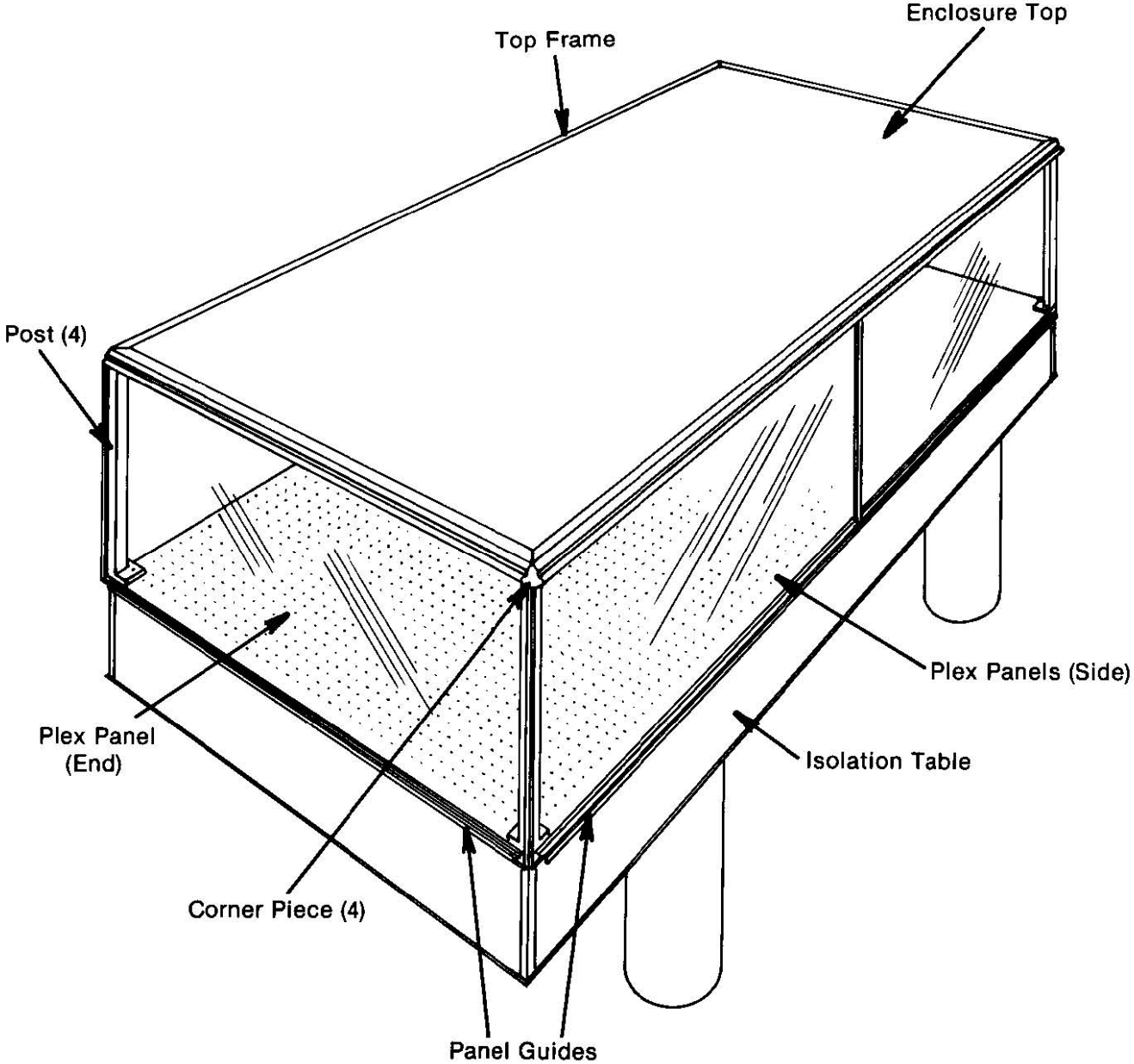


Figure 12 — Corner Assembly Detail

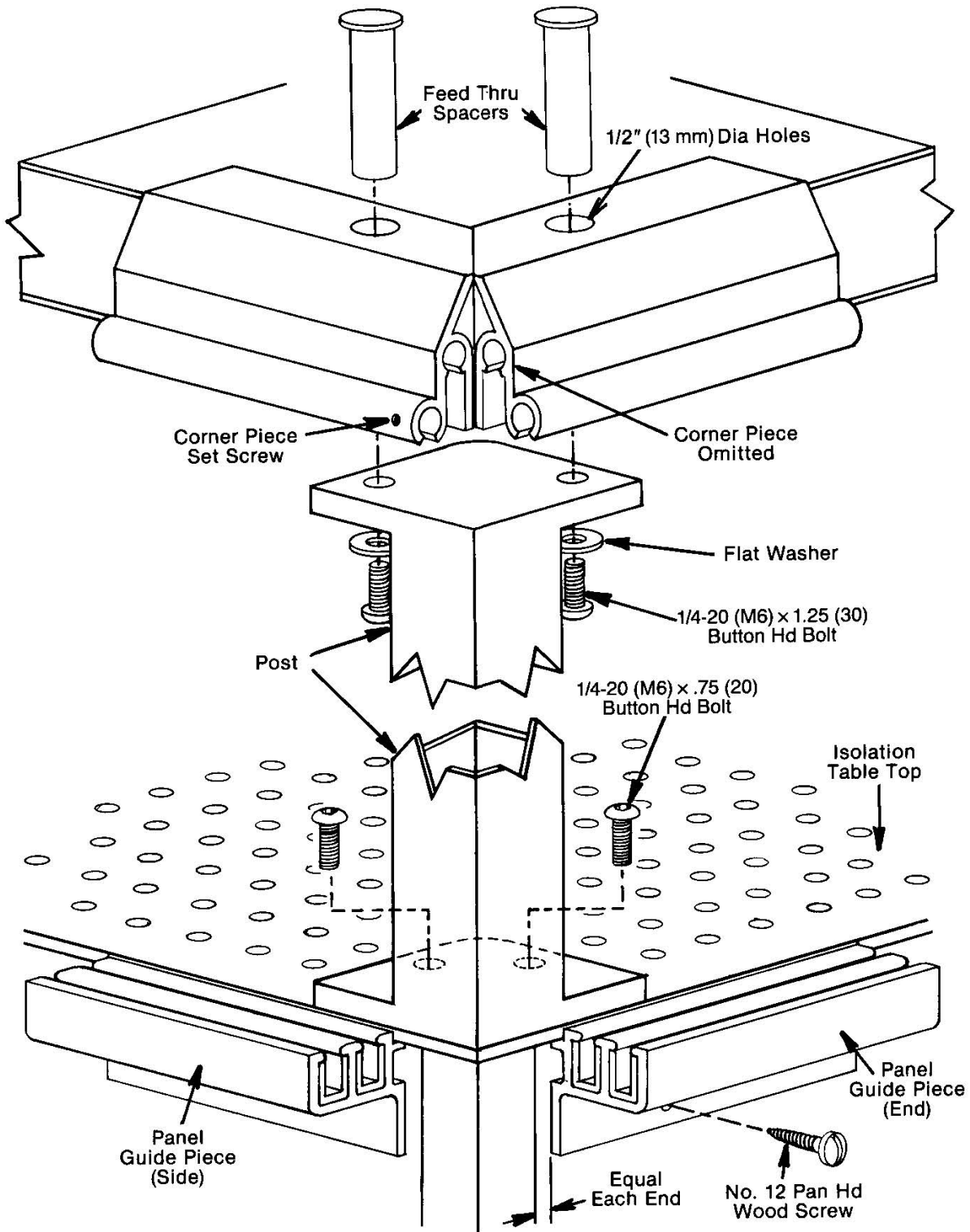


Figure 14 — Panel Location

