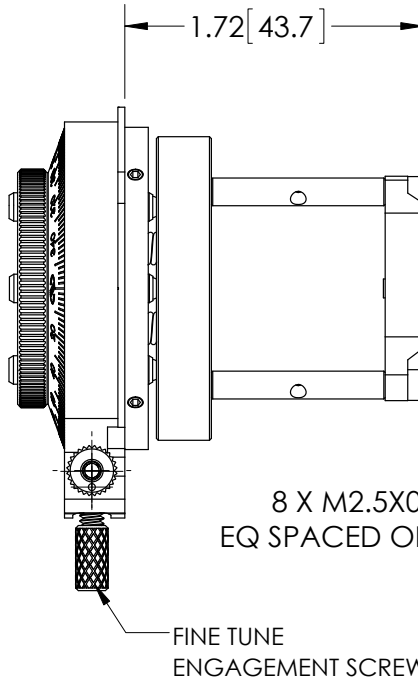
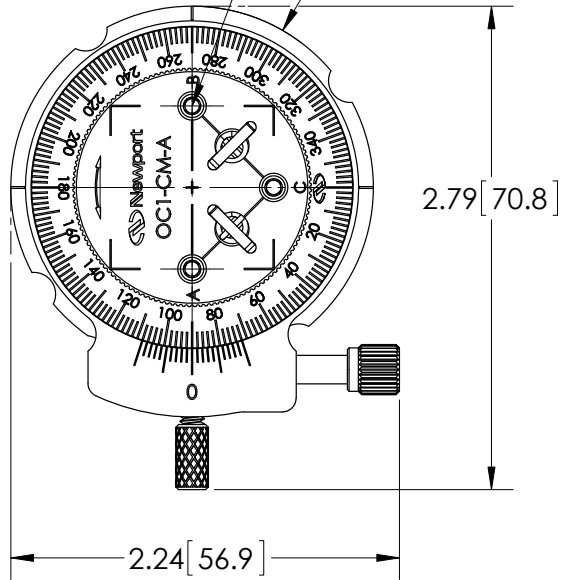
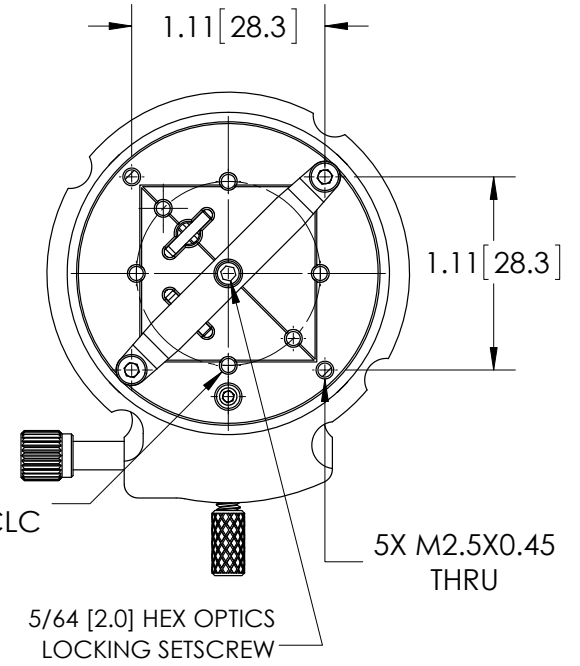


3X 5/64 [2.0] HEX TIP/TILT  
ROLL & Z ADJUSTMENT

$\phi$  2.09 [53.1]

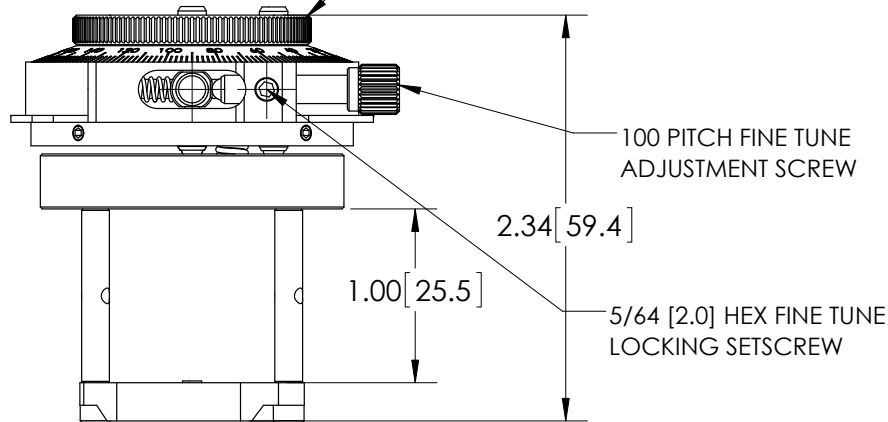


8 X M2.5X0.45 $\nabla$ .170  
EQ SPACED ON  $\phi$  1.06 CLC



5X M2.5X0.45  
THRU

MANUAL 360 DEGREE  
ADJUSTMENT KNOB



Newport