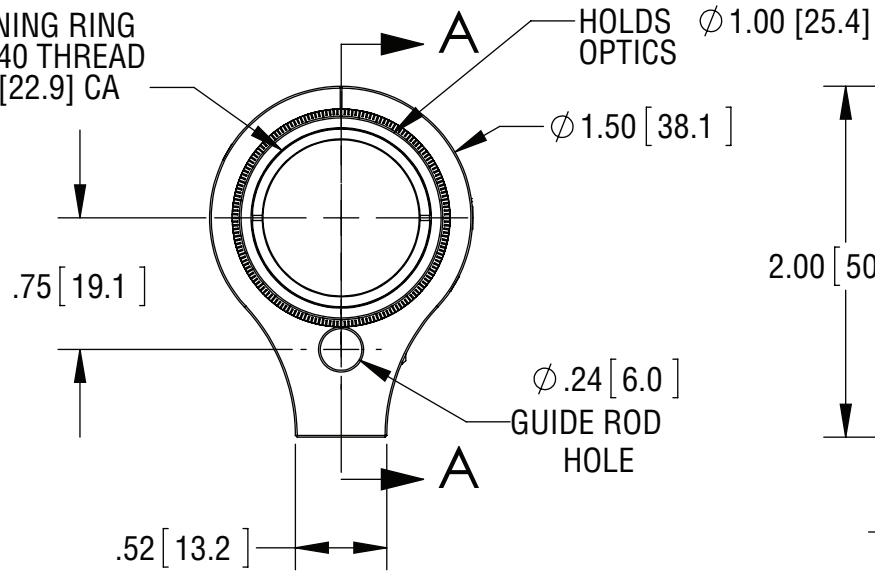


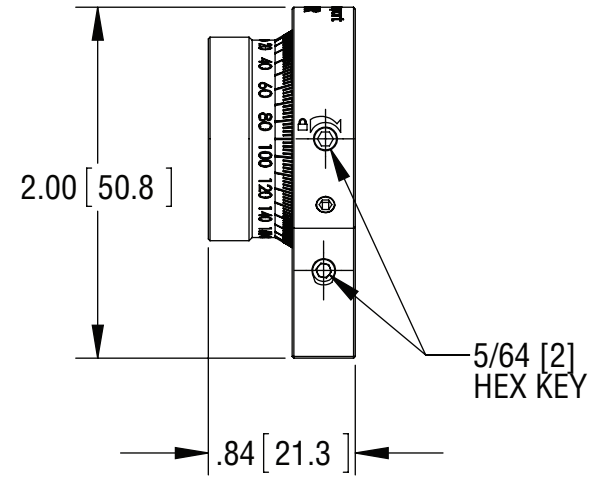
SECTION A-A

RETAINING RING  
1.035-40 THREAD  
Ø 0.9 [22.9] CA

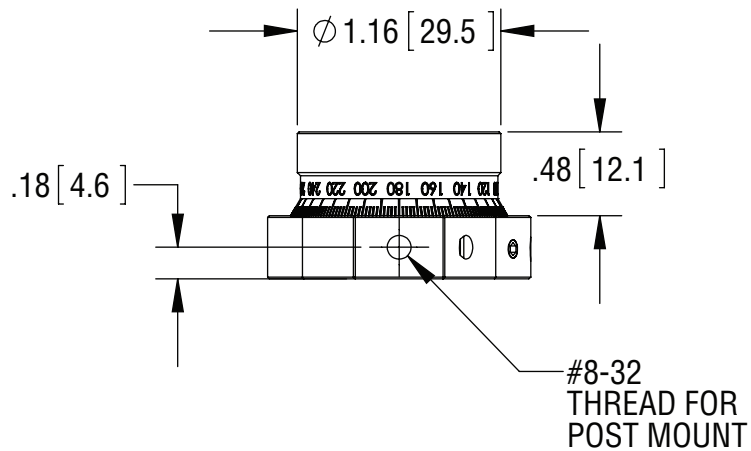


HOLDS OPTICS  
Ø 1.00 [25.4]

Ø .24 [6.0]  
GUIDE ROD  
HOLE



5/64 [2]  
HEX KEY



#8-32  
THREAD FOR  
POST MOUNT

