

# DL-BKIT2U-UV-M DOUBLE PASS DELAY LINE KIT FOR UV INSTRUCTION SHEET

## Instruction Sheet

### KIT CONTENTS:

Material Number	Material Description	Quantity
M9454A	Metric Kit of Screws	1
10D620AL.2	ValuMax Aluminum Mirror 1" Dia	4
U100-A2K	Ultima Clear Edge Mirror Mount	2
9848-KT	Delay Line Mirror Mount Kit	1
UBBR2.5-5UV	Hollow Retroreflector UV	1
ID-0.5	Iris Diaphragm 0.5" Dia	1
M-360-90	90 Degree Angle Bracket	1
M-PS-0.5E	Pedestal Post Extension	3
M-PS-1E	Pedestal Post Extension	1
M-PS-0.5Z	Magnetic Pedestal, M4	1
M-PS-2Z	Magnetic Pedestal, M4	3
MH-2P	Fixed Position Lens Mount	1
PS-0.125	Optical Pedestal Spacer, M4	1
PS-0.25	Optical Pedestal Spacer, M4	1
PS-F	Slotted Clamping Fork	4

Motion stage and controller are sold separately.

### Purpose:

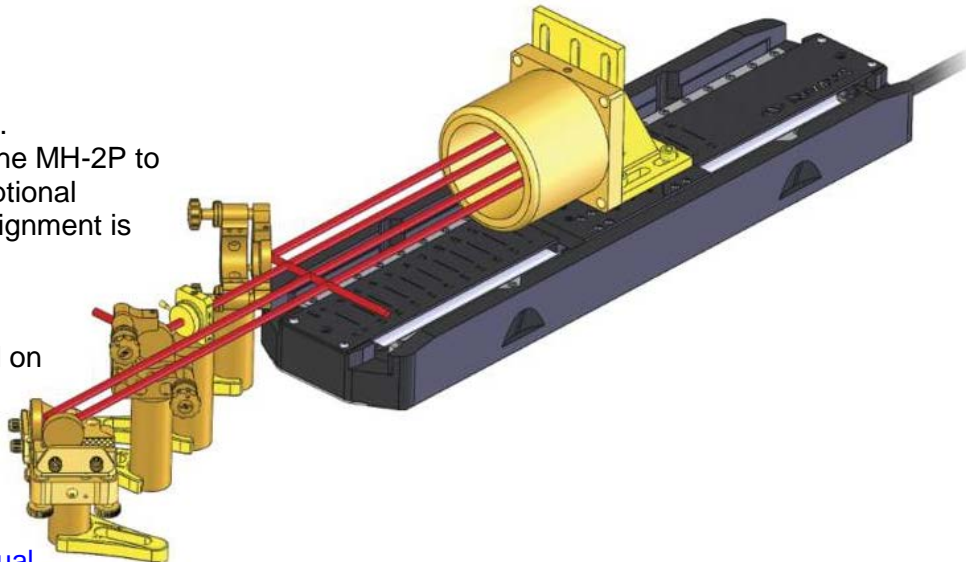
The delay line kit enables precise variation of the optical path length. This is a double pass delay line kit for the UV wavelengths.

### Instructions:

Assemble products as shown in the image. Use the iris diaphragm ID-0.5 installed in the MH-2P to help with beam height standardization. Optional additional iris diaphragms will help if the alignment is too challenging.

Please refer to detailed instructions in "DL Stage User's Manual", which can be found on

line: <https://www.newport.com/DLStageManual>



Please use caution while handling all optic lenses

Contact customer service if any parts are missing or damaged.

Newport Corporation U.S.A

Office: 800-222-6440

P/N: 90083377 REV. A