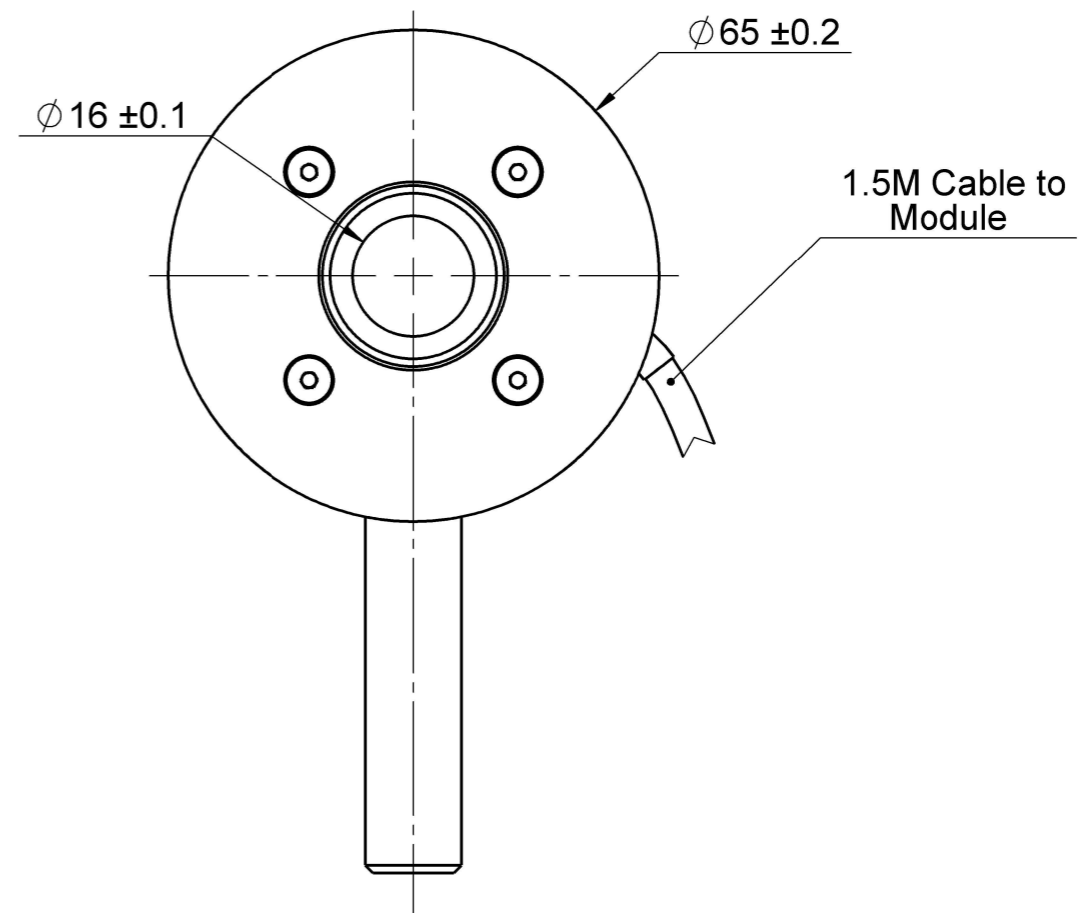
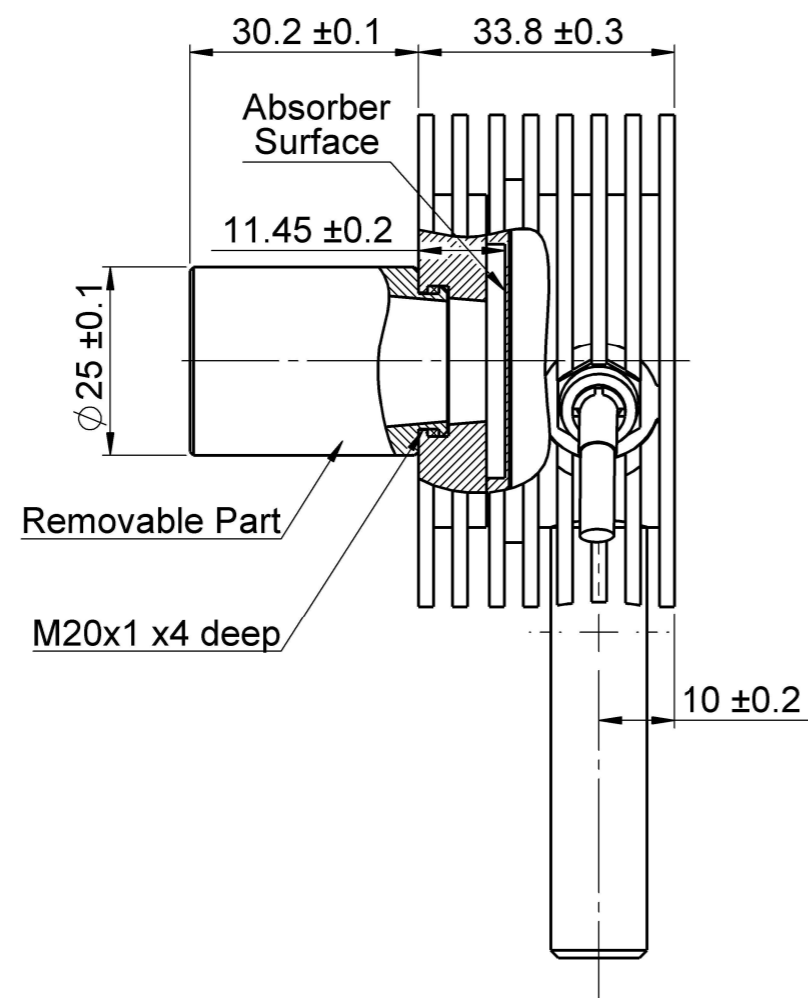



919P-010-16



	REV. 1	NAME	SIGN.	DATE
	DRAWN	N.M.		01.21
	APPR.	A.R.		